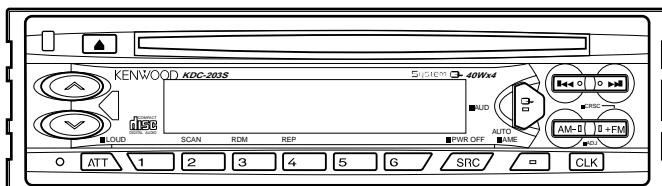
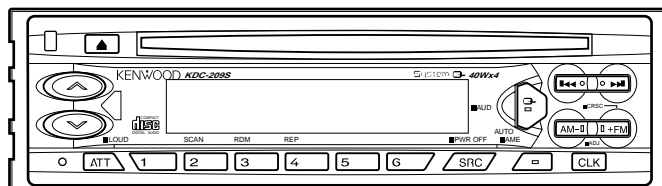


VISTEON GENUINE

KDC-203S



KDC-209S



Refer to KDC-316S's information of the service manual "KDC-316S/316V/37MR"
(B51-7700-00) for KDC-203S/209S's information except the following parts.

PARTS LIST

*New Parts

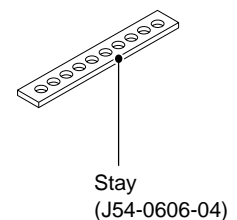
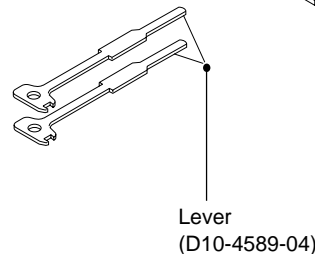
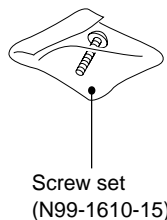
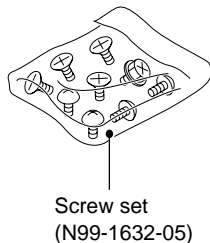
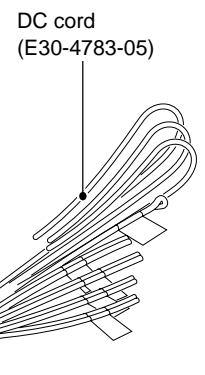
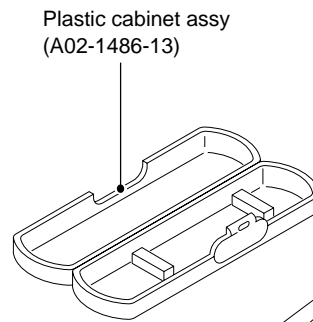
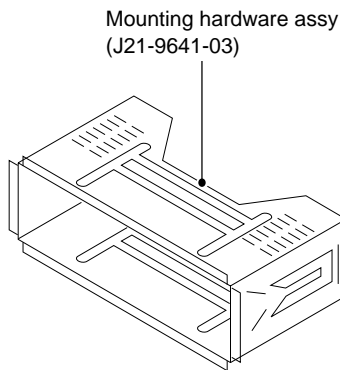
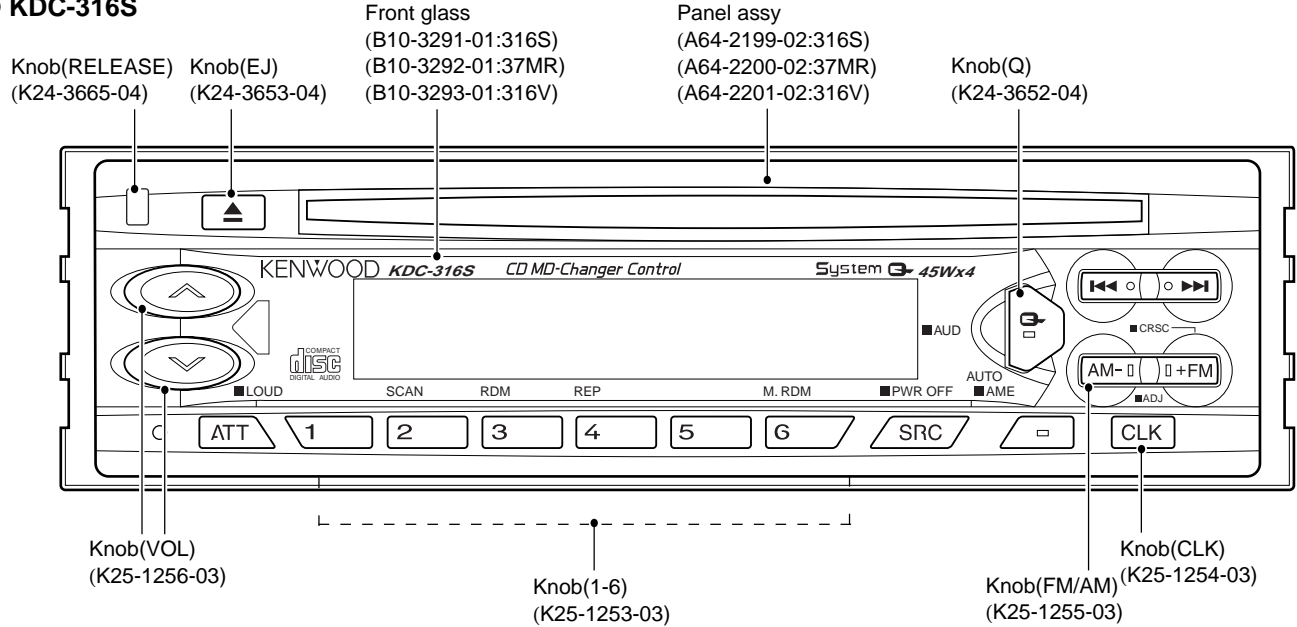
Parts without **Part No.** are not supplied.

| Ref. No. | A d d | N e w | Parts No. | Description | Desti- nation |
|--|-------------|-------------|--------------|--------------------------------|------------------|
| KDC-203S/209S | | | | | |
| 704 | 3C | * | A64-2439-01 | PANEL (704 but a service part) | |
| 207 | 3C | * | B10-4094-01 | FRONT GLASS | K2 |
| 207 | 3C | * | B10-4095-01 | FRONT GLASS | K3 |
| SWITCH UNIT (X13- or X16-) | | | | | |
| 301 | 2C | | B11-1327-04 | OPTICAL DIFFUSER | K2 |
| 301 | 2C | | B11-1333-14 | OPTICAL DIFFUSER | K3 |
| PL1 ,2 | | | B30-1485-05 | LAMP | K2 |
| PL1 ,2 | | | B30-1543-05 | LAMP | K2 |
| PL1 ,2 | | | B30-1513-05 | LAMP | K3 |
| ED1 | | | B38-1061-05 | LIQUID CRYSTAL | K2 |
| ED1 | | | B38-1062-05 | LIQUID CRYSTAL | K3 |
| C5 | | | CK73EB1C225K | CHIP C 2.2UF K | K2 |
| R12 | | | RK73FB2A102J | CHIP R 1.0K J 1/10W | K2 |
| R13 | | | RK73FB2A470J | CHIP R 47 J 1/10W | K2 |
| IC2 | | | RS-171 | ANALOGUE IC | K2 |
| ELECTRIC UNIT (X25-) | | | | | |
| R138 | | | RK73GB1J473J | CHIP R 47K J 1/16W | |
| IC4 | | | TDA7384A | ANALOGUE IC | |
| KDC-203S/209S do not include the following parts. | | | | | |
| PA1 | 3C | | | PANEL ASSY | |
| AC1 | 2D | | | CORD WITH PINPLUG | |
| - | | | | INSULATING COVER | |
| SWITCH UNIT (X13- or X16-) | | | | | |
| C8 ,9 | | | | CHIP C | |
| R20 | | | | CHIP R | |
| D18 ,19 | | | | LED | |
| ELECTRIC UNIT (X25-) | | | | | |
| CN2 | | | | PIN ASSY | |
| J4 | | | | CYLINDRICAL RECEPTACLE | |
| J5 | | | | PIN JACK | |
| C221-224 | | | | ELECTRO | |
| C225,226 | | | | CHIP C | |
| C401,402 | | | | ELECTRO | |
| C403 | | | | ELECTRO | |
| C404 | | | | CHIP C | |
| R137 | | | | CHIP R | |
| R170 | | | | RD | |
| R171 | | | | RD | |
| R221-224 | | | | RD | |
| R225-228 | | | | RD | |
| R229-232 | | | | RD | |
| R401,402 | | | | RD | |
| R403 | | | | RD | |
| R404 | | | | RD | |
| R405-409 | | | | RD | |
| R410,411 | | | | RD | |
| R412-414 | | | | CHIP R | |
| D401,402 | | | | ZENER DIODE | |
| D403,404 | | | | ZENER DIODE | |
| D409-411 | | | | ZENER DIODE | |
| Q40 | | | | DIGITAL TRANSISTOR | |
| Q221-224 | | | | DIGITAL TRANSISTOR | |

K2 : KDC-209S

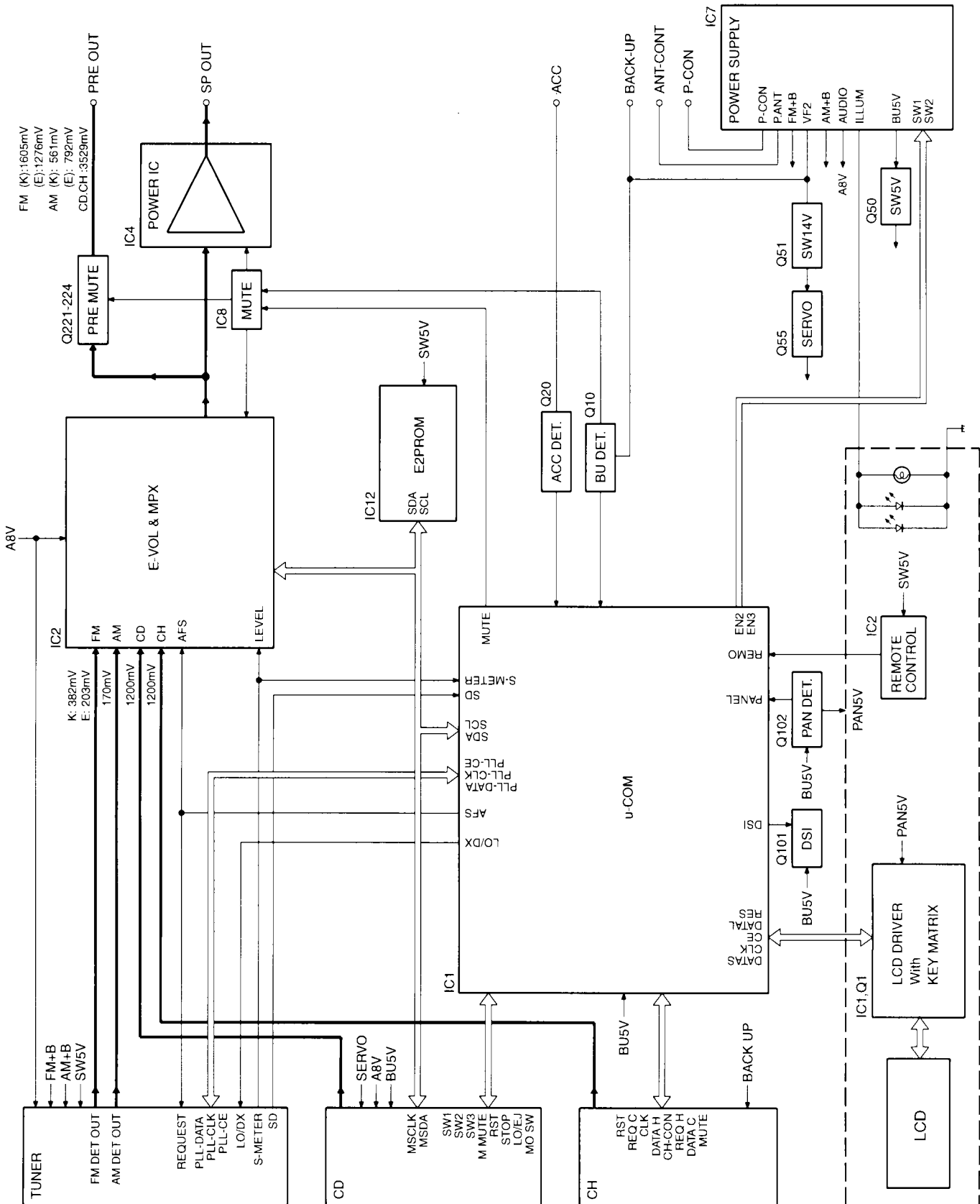
K3 : KDC-203S

● **KDC-316S**



KDC-316S/316V/37MR

BLOCK DIAGRAM



KDC-316S/316V/37MR

COMPONENT DESCRIPTION

●SWITCH UNIT(X13-9880-XX)

| Ref.No. | Component Name | Application/Function | Operation/Condition/Compatibility |
|---------|-------------------------------|-----------------------------|---|
| IC1 | LC75853NE | LCD driver | Ready on key-matrix |
| IC2 | RS-171 | Remote control light sensor | |
| Q1 | DTA114EK or KRA102S or UN2111 | key-matrix permission SW | Ready on key-matrix, ON when the base goes "Lo" |

●ELECTRIC UNIT(X25-8690-XX)

| Ref.No. | Component Name | Application/Function | Operation/Condition/Compatibility |
|----------|--|----------------------------|--|
| IC1 | UPD780058GC231 | System μ -COM. | |
| IC2 | TDA7407D | E-VOL. & N.C. MPX | |
| IC4 | TDA7386 | Power IC | |
| IC7 | BA4911-V4 | Power supply IC | |
| IC8 | HD74HC27FP | Mute gate IC | 3 input NOR gate x3 |
| IC11 | S-80830ANNP | RESET IC | Detection voltage 3.0V |
| IC12 | BR24C01AF or BR24C01AF-W M24C01-WMN6T or S-24C01B | E2PROM | |
| Q10 | 2SC4081 or 2SD1819A | B.U. detection | Detect BU voltage |
| Q20 | 2SC4081 or 2SD1819A | ACC detection | Detect ACC voltage |
| Q40 | DTA124EUA or UN5112 | PREOUT mute driver | Mutes when base is "Lo" (controls Q221-224) |
| Q50 | 2SA1036K | SW 5V | ON when the base is "Lo". |
| Q51 | UMC2N | SW 14V | ON when the base is "Hi" (controls Q55) |
| Q53 | UMC2N | Switch for power supply IC | ON when the base is "Hi" (controls SW1 pin of power supply IC) |
| Q55 | 2SD2375 or 2SD2396 | AVR for SERBO +B | Output issued when SW14V is on (base is "Hi") |
| Q70 | 2SC4081 or 2SD1819A | SURGE detection | Detect SURGE voltage |
| Q101 | 2SC4081 or 2SD1819A | DSI SW | DSI LED turns ON when base is "Hi" |
| Q102 | DTA114YUA or UN5114 | PANEL 5V SW | ON when the base is "Lo" |
| Q221-224 | DTC143TUA or UN5216 | PREOUT MUTE | Mute applied to PREOUT (output) when base is "Lo" |
| Q251 | DTC114YUA or UN5214 | Power IC SVR SW | Turns ON when base is "Hi" and capacitor on SVR pin discharges |

KDC-316S/316V/37MR

MICROCOMPUTER'S TERMINAL DESCRIPTION

●Terminal Description

| Pin | Function | I/O | Description | Processing Operation |
|-----|-----------|-----|---|---|
| 1 | AV CONT | O | A/D converter reference voltage control output | "Hi": ON / "Lo": OFF |
| 2 | IC2 TYPE0 | I | IC2 setting terminal | "Lo": Initial value |
| 3 | IC2 TYPE1 | I | IC2 setting terminal | "Lo": Initial value |
| 4 | AVSS | - | Ground connection terminal | connected to GND |
| 5 | M MUTEL | I | Muting request from the MICOM. of CD mecha. | "Lo": Mute request |
| 6 | N.C | O | Not used | |
| 7 | AVREF1 | I | D/A converter reference voltage input | |
| 8 | ILLUMI | O | Illumination AVR ON/OFF control output | "Hi": AVR ON |
| 9 | L RES | O | Reset output to the LCD driver IC | "Lo": Reset |
| 10 | PANEL | I | Panel open/close detection input | "Lo": Panel closed |
| 11 | L DATAL | I | Data input from the LCD driver IC | |
| 12 | L DATAS | O | Data output to the LCD driver IC | |
| 13 | L CLK | O | Clock output to the LCD driver IC | |
| 14 | N.C | O | Not used | |
| 15 | N.C | O | Not used | |
| 16 | CH-DATAC | I | Data input from changers | |
| 17 | CH-DATAH | O | Data output to changers | |
| 18 | CH-CLK | I/O | Clock input/output with changers | |
| 19 | L CE | O | CE output to the LCD driver IC | "Hi": Active |
| 20 | N.C | O | Not used | |
| 21 | M RST | O | Reset output to the MICOM. of CD mecha. | "Lo": Reset |
| 22 | M STOP | O | Stop request to the MICOM. of CD mecha. | "Lo": Stop |
| 23 | MOSW | O | CD mechanism loading motor control output | "Hi": Loading & Eject / "Lo": other |
| 24 | PLL SCL | O | Clock output to the tuner pack | |
| 25 | AM+B | O | AM+B control | "Hi": during AM reception |
| 26 | FM+B | O | FM+B control | "Hi": during FM reception |
| 27 | M-SCL | I/O | Clock input/output with the MICOM. of CD mecha. | |
| 28 | DSI | O | DSI output | "Hi": LED ON |
| 29 | LO/EJ | I/O | CD mecha.Loading/Eject switching output | "Lo": Loading / "Hi": Eject |
| 30 | SW3 | I | Down & limit switch detection input | "Hi": Chucking / "Lo": Pickup most inner position |
| 31 | R DATA | I | Data input from RDS decoder | |
| 32 | R QUAL | I | Quality input from RDS decoder | |
| 33 | VSS1 | - | Ground connection terminal | connected to GND |
| 34 | SD | I | SD input from the tuner pack | "Hi": Station detected |
| 35 | IC2 SCL | O | Clock output to the E-VOL. IC | |
| 36 | M-SDA | I/O | Data input/output with the MICOM. of CD mecha. | |
| 37 | PLL SDA | I/O | Data input/output with the tuner pack | |
| 38 | IC2 SDA | I/O | Data input/output with the E-VOL. IC | |
| 39 | MUTE | O | Mute control output | "Hi": Mute ON / "Lo": Mute OFF |
| 40 | N.C | O | Not used | |
| 41 | AFC | O | AFC control output | "Lo": during FM seek |
| 42 | CH-REQH | O | Request output to changers | "Lo": Request |
| 43 | CH-CON | O | Changer control | "Lo": Standby / "Hi": ON |
| 44 | N.C | O | Not used | |
| 45 | P MUTE | O | Power IC mute control | "Lo": Mute |
| 46 | SVR | O | Power IC reset terminal | When the momentary power down, after ACC OFF/ON is detected and after POWER ON/OFF, the output goes "Hi" temporarily. |
| 47 | STBY | O | Power IC standby control output | "Hi": POWER ON mode |
| 48 | P CON | O | Power control | "Hi": POWER ON mode except ALL OFF mode |
| 49 | P ANT | O | Antenna control | "Hi": during FM/AM reception |
| 50 | BEEP | O | BEEP sound output | |
| 51 | ACC DET | I | ACC detection input | "Hi": ACC OFF / "Lo": ACC ON |
| 52 | BU DET | I | Momentary power down detection input | "Hi": When momentary power down detected or BU OFF / "Lo": BU ON |
| 53 | N.C | O | Not used | |

KDC-316S/316V/37MR

MICROCOMPUTER'S TERMINAL DESCRIPTION

| Pin | Function | I/O | Description | Processing Operation |
|-----|----------|-----|---|--|
| 54 | N.C | O | Not used | |
| 55 | N.C | O | Not used | |
| 56 | SW5 | O | SW 5V control | "Lo": POWER ON mode |
| 57 | P ON | O | Microprocessor peripheral power supply control terminal | "Hi": ACC ON or during CD Loading/Eject |
| 58 | TYPE2 | I | Destination type input terminal 2 | |
| 59 | N.C | O | Not used | |
| 60 | RESET | I | Reset input terminal | "Lo": System reset |
| 61 | REMO | I | Data input from the remote control light sensor | |
| 62 | R CLK | I | Clock input from RDS decoder | |
| 63 | CH-REQC | I | Request input from changers | "Hi": Request |
| 64 | SW1 | I | Loading detection | "Lo": CD chucking |
| 65 | KEY-REQ | I | Key request terminal | "Lo": Request |
| 66 | SW2 | I | 12cm disc detection terminal | "Lo": 12cm disc |
| 67 | VSS0 | - | Ground connection terminal | connected to GND |
| 68 | VDD1 | - | VDD connection terminal | |
| 69 | X2 | - | Main clock resonator connection terminal | |
| 70 | X1 | I | Main clock resonator connection terminal | |
| 71 | IC(TEST) | - | Not used | connected to GND |
| 72 | XT2 | - | Sub clock resonator connection terminal | N.C. |
| 73 | N.C | I | Sub clock resonator connection terminal | connected to BU5V lines |
| 74 | VDD0 | - | VDD connection terminal | |
| 75 | AVREF0 | I | A/D converter reference voltage input | |
| 76 | SMETER | I | S-meter input from the tuner pack | |
| 77 | PHONE | I | PHONE detection input | 1V or less: TEL MUTE, 2.5V or greater: NAVI MUTE |
| 78 | NOISE | I | Noise detection input | |
| 79 | TYPE0 | I | Destination type input terminal 0 | |
| 80 | TYPE1 | I | Destination type input terminal 1 | |

KDC-316S/316V/37MR

ADJUSTMENT

Test Mode

1. How to enter test mode

While holding the FM key and preset 6 key, reset the unit. All display segments light up when the test mode is entered.

2. How to exit from test mode

Reset the unit. The test mode is not terminated by turning ACC off, power off, momentary power down or panel detaching.

3. Test mode specifications of CD receiver

- Pressing the Track Up key jumps to tracks in the following sequence:
No.9→No.15→No.10→No.11→No.12→No.13→No.14→No.9 (Repeats the cycle)
- Pressing the Track Down key jumps to the track immediately before the track being played.
- Pressing Preset 1 key jumps to track No. 28.
- Forced ejection is not provided.

4. Test mode specifications of cassette receiver

- Blank skip (B.S) is off.
- Pressing the ATT key ejects the cassette.

5. Audio functions

- Pressing the AUDIO key or the OPEN/CLOSE key on the remote controller initiates the Audio mode.
- In the Audio adjustment mode, the Seek Up/Down keys on the remote controller can only be pressed shortly. (They cannot be held depressed.)
- The volume is -10 dB (which is displayed as "30").
- LOUDNESS is OFF.
- The Bass/Treble Up/Down and Balance/Fader Up/Down buttons function as full-boost/full-cut and full-front/full-rear respectively.

6. Menu mode

- Pressing the CLK or the DNPP key on the remote controller initiates the Menu mode.
- In the Menu mode, the Seek Up/Down keys on the remote controller can only be pressed shortly. (They cannot be held depressed.)
- With the models incorporating RDS, the first operation in the menu becomes local seek.

7. Version and operating hours display

- The following table shows the key operations and resulting display information.

| Key Operation | Display |
|-------------------|--|
| Pressing Preset 1 | Version (Date and time display) |
| Pressing Preset 3 | CD (or TAPE with C/R models) operating hours |
| Pressing Preset 5 | CD (or TAPE with C/R models) ejection count |

- Holding Preset 3 while the operating hour information is displayed clears it.
- Holding Preset 5 while the ejection count information is displayed clears it.

Adjustment Mode

Adjustable items

- Stereo Decoder Subaddress: 9
- Configuration Subaddress: D

Default values

If they are not written in the EEPROM, the default values specified by the IC developer are set in IC2-3.

Adjustment procedure

- Enter the IC2-3 Adjustment mode by resetting the unit while holding [3] + [6].
- Select the TUNER source by pressing SRC.
- When the adjustment mode is entered, the display shows a 2-digit hex number.
- When preset [1] or [2] is recalled, the setting values corresponding to the pressed number are displayed. (The displayed values are those in the RAM.)
- Vary each setting value using [◀] or [▶].
- Store the values in the corresponding preset number.
- The settings can be performed individually for each item. (It is not required to store all the values together.)
- After storing the values, reset the unit to exit from the adjustment mode. The values set in the EEPROM will be read during the resetting.
- When the band is switched, there may be cases in which the preset number being displayed does not coincide with the stored setting value. To check this, be sure to recall the preset number after you switch the band.

Notes

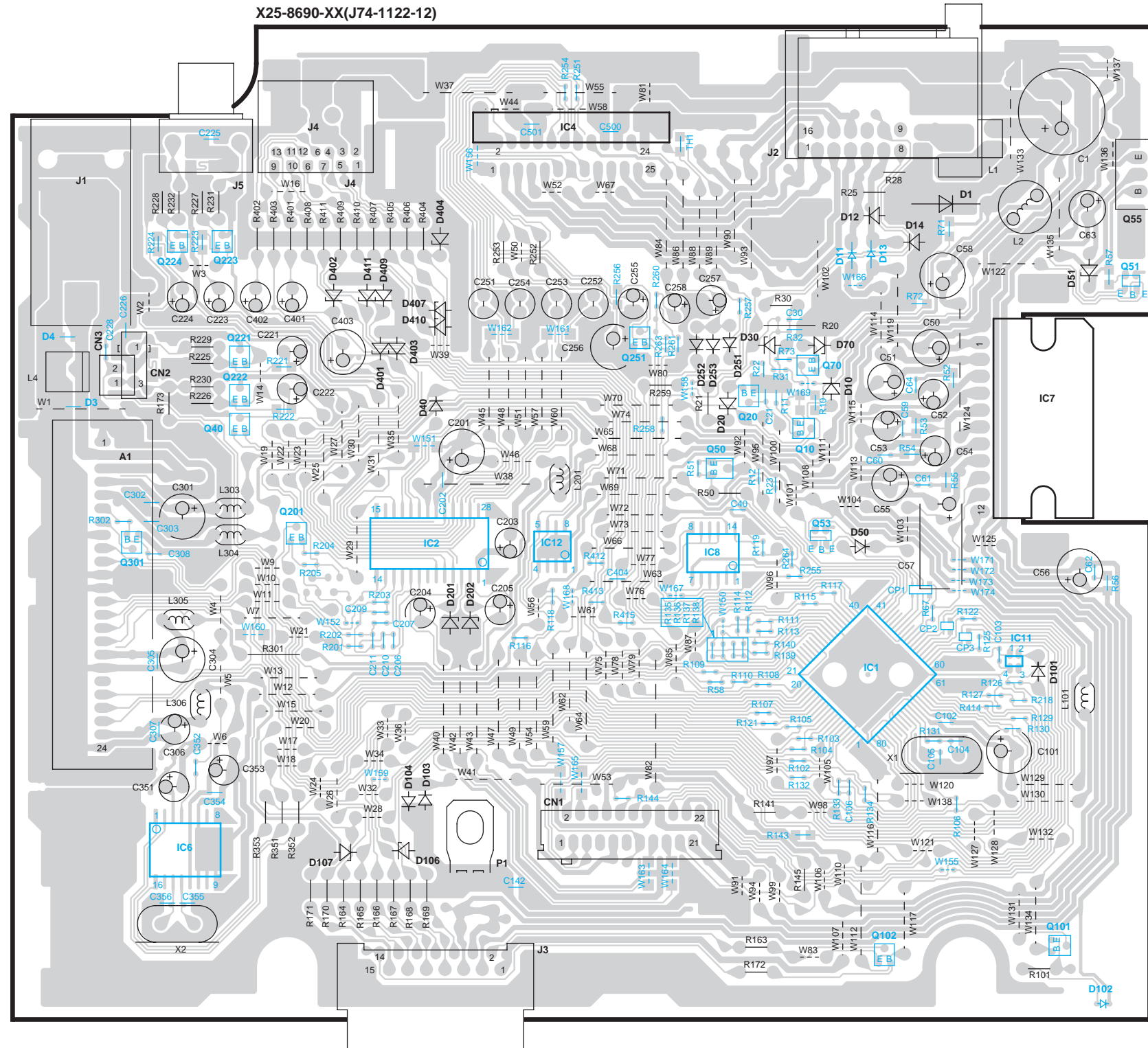
- The items which are not stored will be set to the default values.
- Once a value is stored in memory, the value will always be used later. (It is not allowed to modify the setting values by switching the destination type.)

PC BOARD (Component Side View)

ELECTRIC UNIT

ELECTRIC UNIT
(X25-8690-XX)

| Ref. NO. | IC | Q | Address |
|----------|----|---|---------|
| 1 | | | 5F |
| 2 | | | 4C |
| 4 | | | 2D |
| 6 | | | 5B |
| 7 | | | 3F |
| 8 | | | 4E |
| 11 | | | 5F |
| 12 | | | 4D |
| 10 | | | 3E |
| 20 | | | 3E |
| 40 | | | 3C |
| 50 | | | 4E |
| 51 | | | 3G |
| 53 | | | 4E |
| 55 | | | 2G |
| 70 | | | 3E |
| 101 | | | 6F |
| 102 | | | 6F |
| 201 | | | 4C |
| 221 | | | 3C |
| 222 | | | 3C |
| 223 | | | 2B |
| 224 | | | 2B |
| 251 | | | 3D |
| 301 | | | 4B |

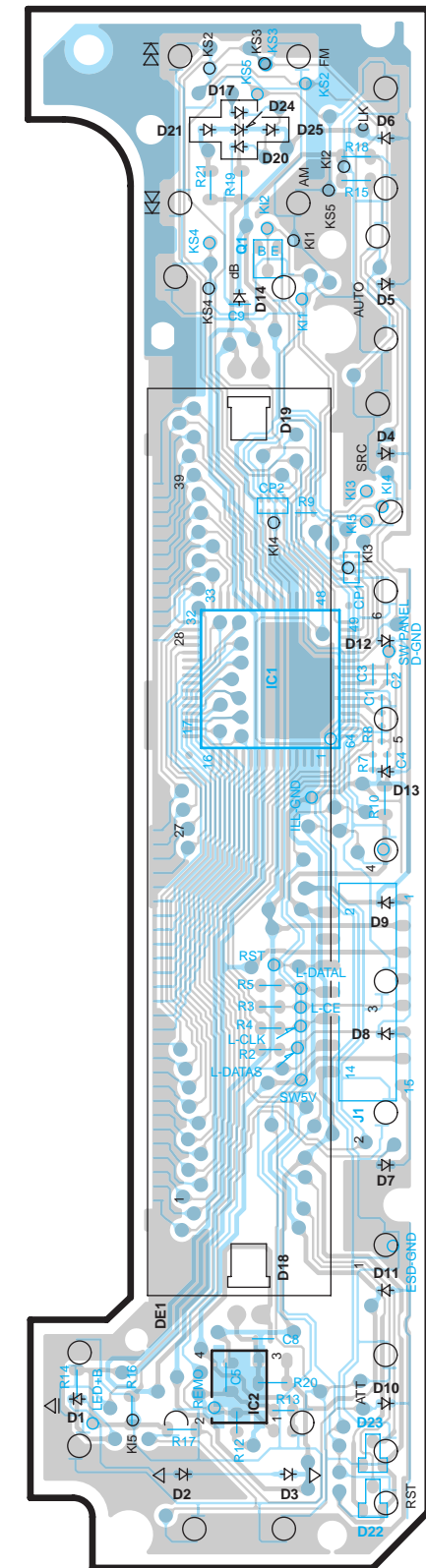


SWITCH UNIT

SWITCH UNIT
(X13-9880-XX)

SWITCH UNIT
(X13-9880-XX)

| Ref. NO. | IC | Q | Address |
|----------|----|---|---------|
| 1 | | | 4H |
| 2 | | | 6H |
| 301 | | | 2H |



Refer to the schematic diagram for the values of resistors and capacitors.

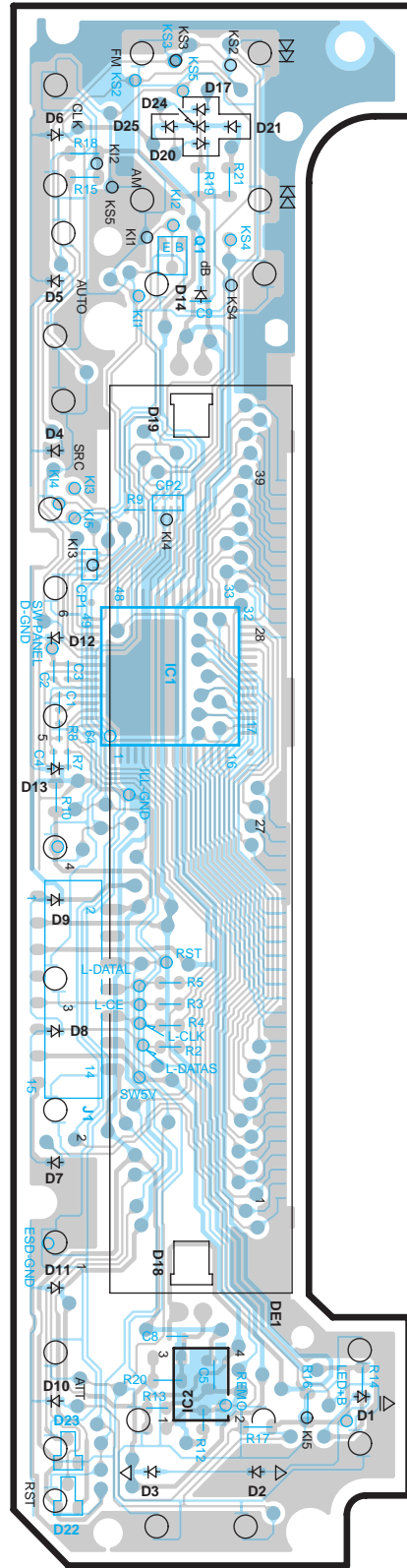
PC BOARD (Foil Side View)

SWITCH UNIT

X13-9880-XX(J74-1113-12)

SWITCH UNIT
(X13-9880-XX)

| Ref. NO. | IC | Q | Address |
|----------|-----|---|---------|
| 1 | | | 4K |
| 2 | | | 6K |
| | 301 | | 2K |

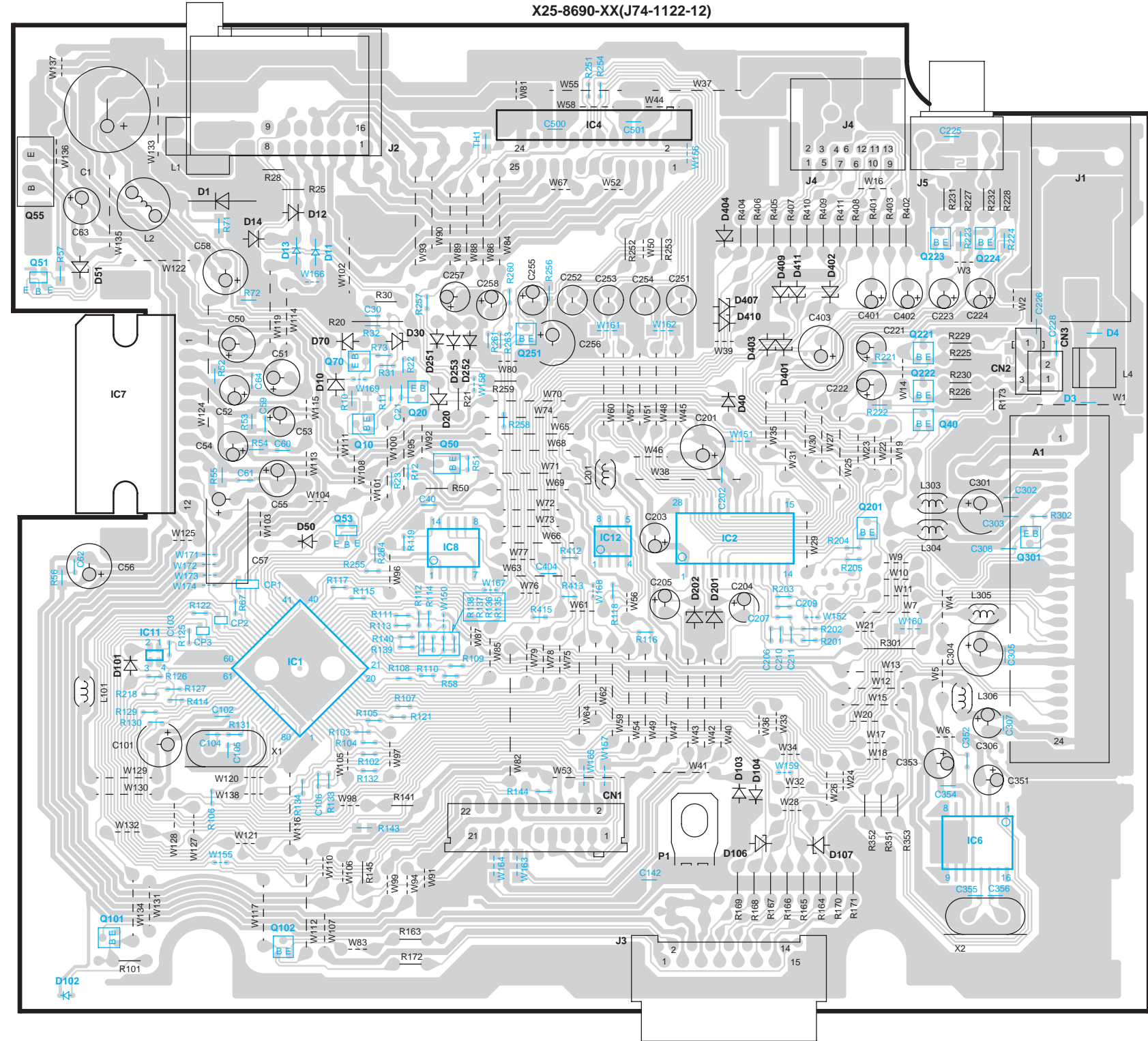


ELECTRIC UNIT

X25-8690-XX(J74-1122-12)

ELECTRIC UNIT
(X25-8690-XX)

| Ref. NO. | IC | Q | Address |
|----------|-----|---|---------|
| 1 | | | 5M |
| 2 | | | 4P |
| 4 | | | 2O |
| 6 | | | 5Q |
| 7 | | | 3M |
| 8 | | | 4N |
| 11 | | | 5M |
| 12 | | | 4O |
| | 10 | | 3N |
| | 20 | | 3N |
| | 40 | | 3P |
| | 50 | | 4N |
| | 51 | | 3L |
| | 53 | | 4N |
| | 55 | | 2L |
| | 70 | | 3N |
| | 101 | | 6M |
| | 102 | | 6M |
| | 201 | | 4P |
| | 221 | | 3P |
| | 222 | | 3P |
| | 223 | | 2Q |
| | 224 | | 2Q |
| | 251 | | 3O |
| | 301 | | 4Q |



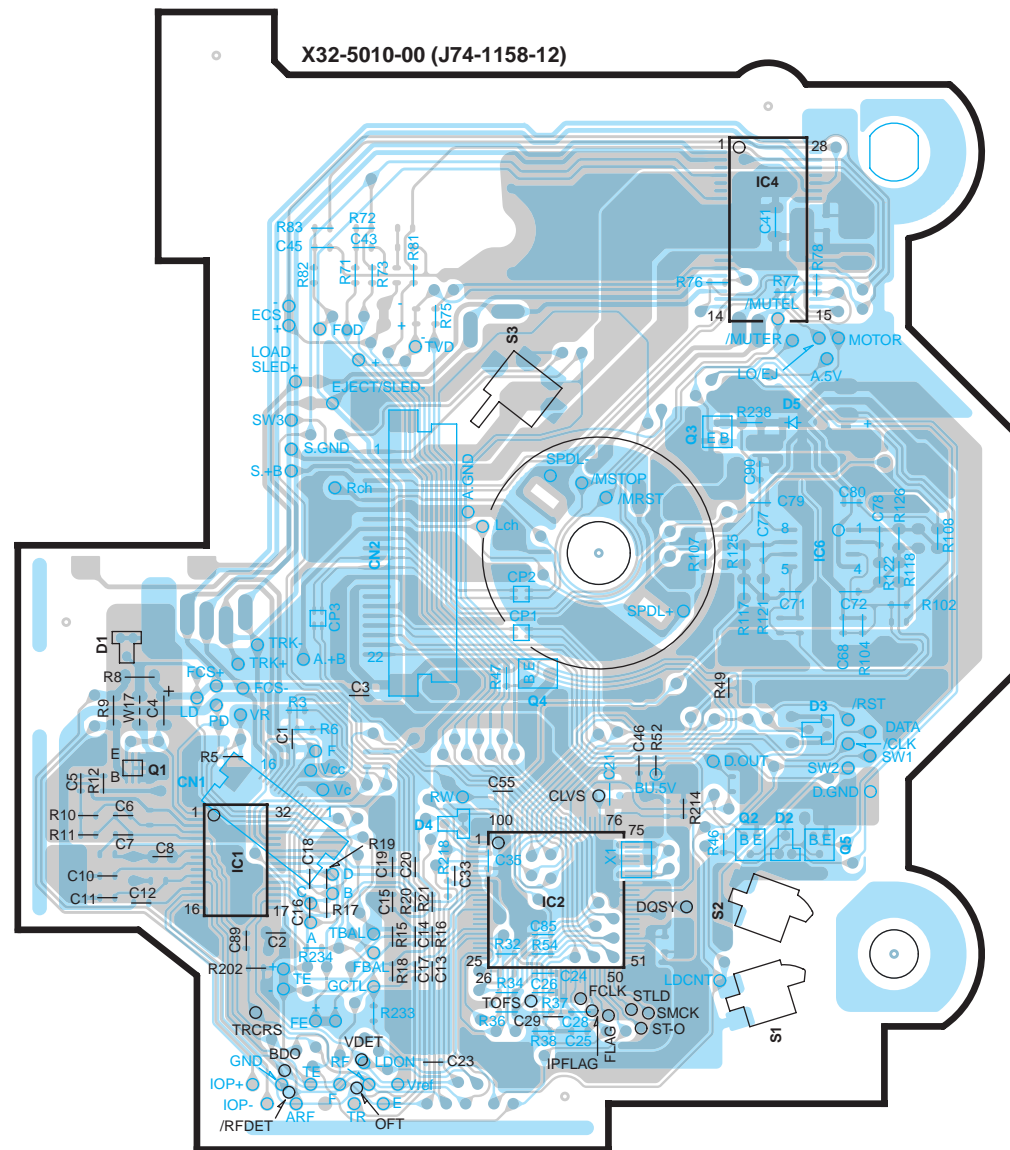
Refer to the schematic diagram for the values of resistors and capacitors.

PC BOARD (Component Side View)

CD PLAYER UNIT

CD PLAYER UNIT
(X32-5010-00)

| Ref. NO. | IC | Q | Address |
|----------|----|---|---------|
| 1 | | | 4T |
| 2 | | | 4U |
| 4 | | | 2V |
| 6 | | | 3V |
| | 1 | | 4T |
| | 2 | | 4V |
| | 3 | | 3V |
| | 4 | | 4U |
| | 5 | | 4V |



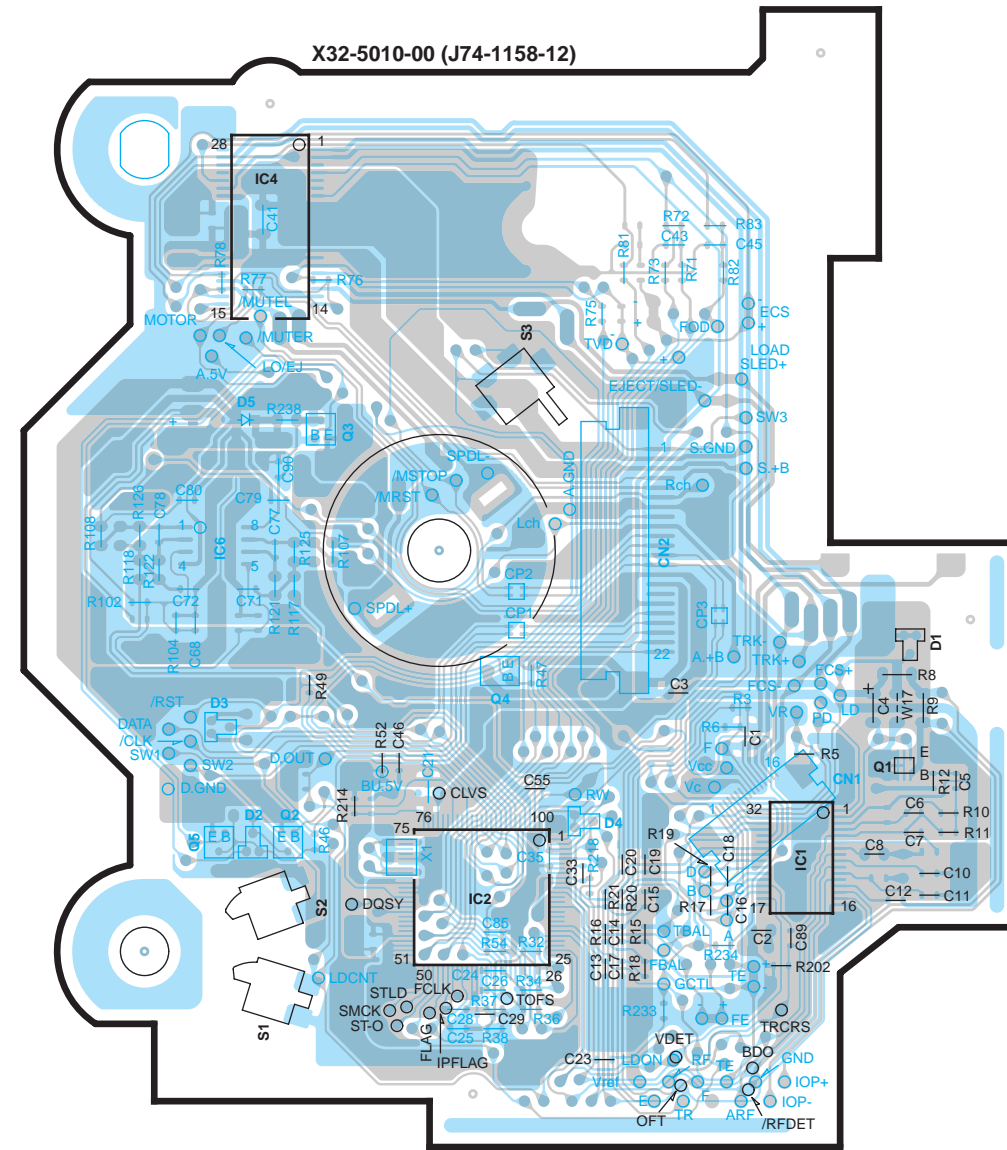
PC BOARD (Foil Side View)

CD PLAYER UNIT

X32-5010-00 (J74-1158-12)

CD PLAYER UNIT
(X32-5010-00)

| Ref. NO. | IC | Q | Address |
|----------|----|---|---------|
| 1 | | | 4Z |
| 2 | | | 4Y |
| 4 | | | 2X |
| 6 | | | 3X |
| | 1 | | 4Z |
| | 2 | | 4X |
| | 3 | | 3X |
| | 4 | | 4Y |
| | 5 | | 4X |



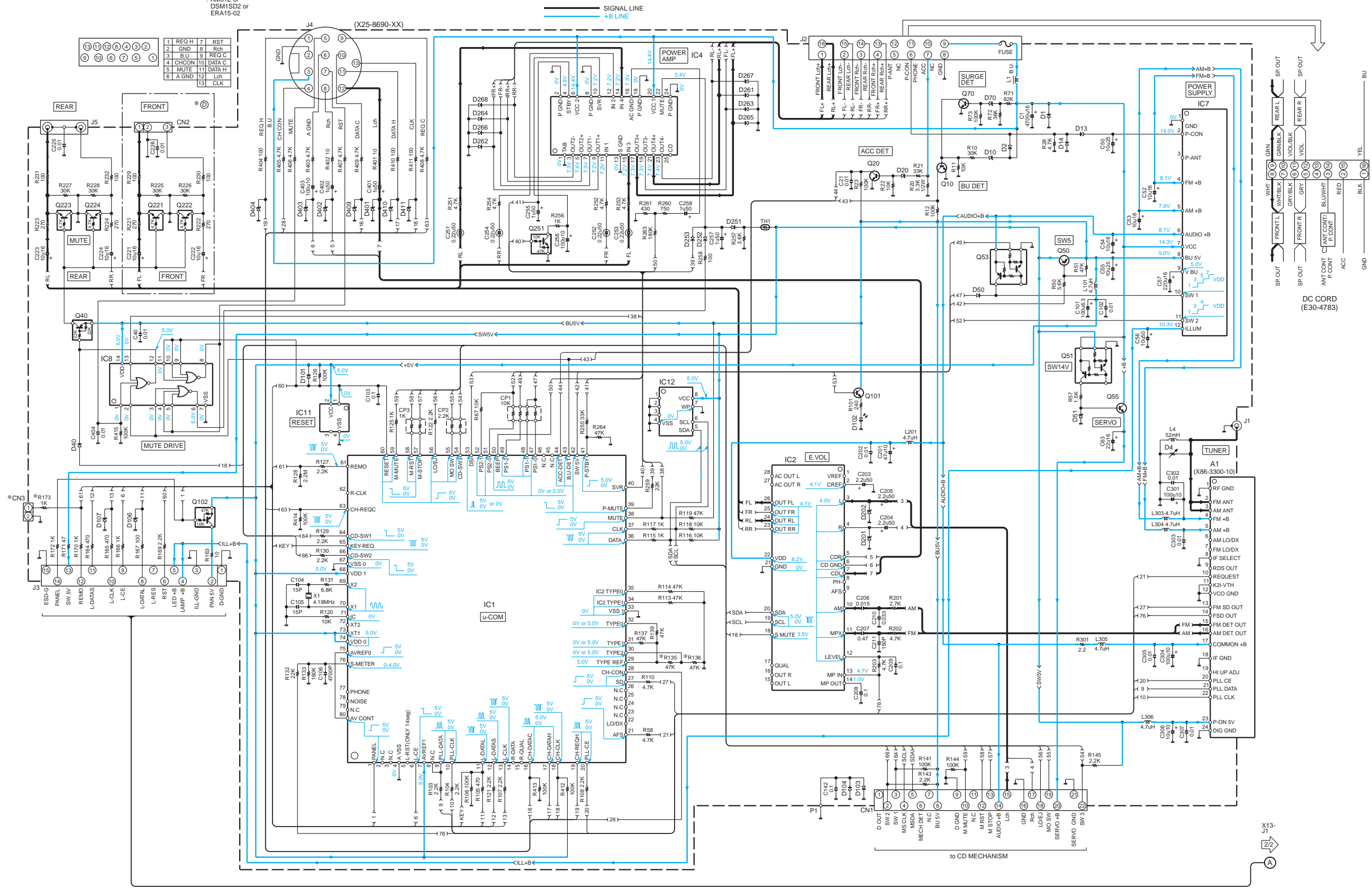
Refer to the schematic diagram for the values of resistors and capacitors.

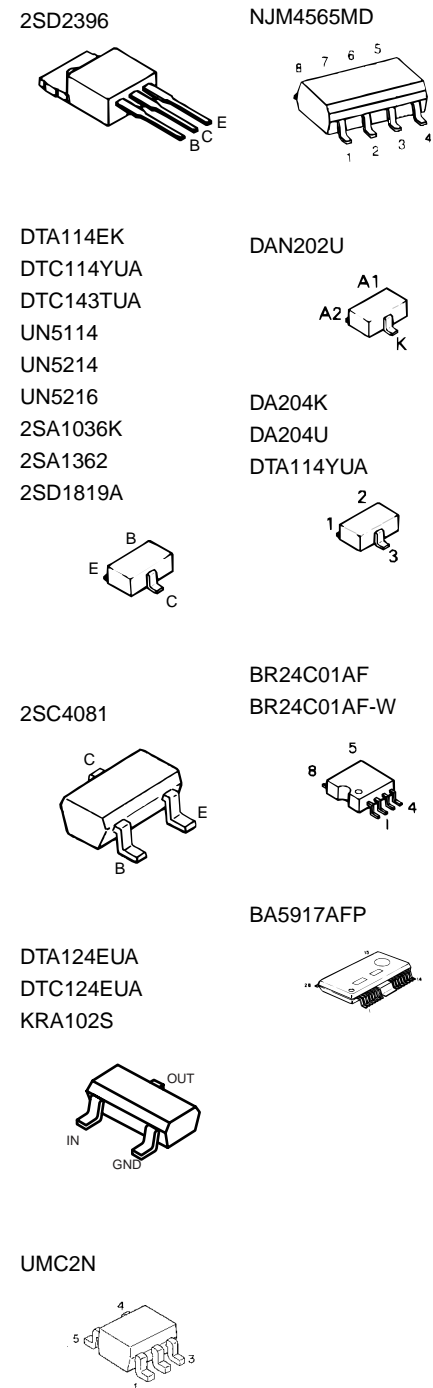
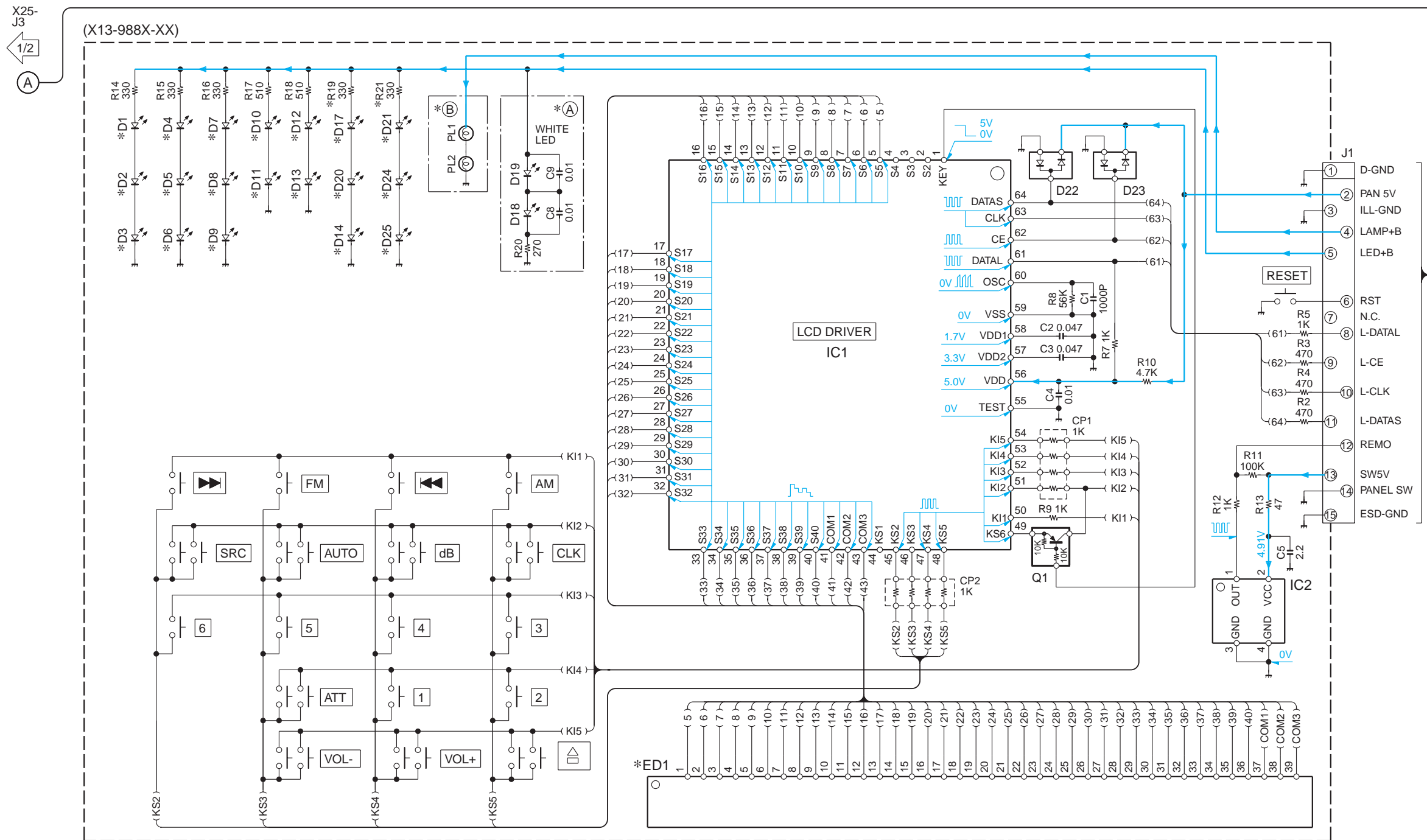
- IC1 : UPD78005GC232
- IC2 : TDA7407D
- IC4 : TDA7386
- IC7 : BA4911-V4
- IC8 : HD74HC27FP
- IC11 : S-80830ANP
- IC12 : BR24CO1AF

- D1 : S2V20*A
- D2,40,50,101,103,104,251-253 : ISS133
- D4 : SA-C22012-101TB or IMSA-6801
- D10,20,70,201,202,401,402 : MA4068(N)-M
- D13,14,261-263,265,266 : AM012 or DSM1SD2 or ERA15-02

- D51 : MA4082(N)-L or HZS9A1L
- D102 : B30-1567-05
- D106,107,403,404 : 409-411
- D264,267,268 : D1F60

| MODEL NAME | UNIT No. | ① | CN3 | R135 | R136 | R173 |
|------------|----------|-----|-----|------|------|------|
| KDC-316S | 0-11 | YES | NO | NO | YES | NO |
| KDC-37MR | 0-12 | NO | NO | YES | NO | YES |
| KDC-316V | 0-13 | NO | NO | YES | NO | NO |





(X13-988x-xx)

| MODEL NAME | UNIT No. | (A) | (B) | D1-14, 17,20 | D21,24, 25 | R21 | ED1 |
|------------|----------|-----|-----|------------------|------------|-----|-------------|
| KDC-316S | 0-10 | YES | NO | B30-1533-05(PG) | YES | YES | B38-1061-05 |
| KDC-37MR | 0-11 | NO | YES | B30-1533-05(PG) | YES | YES | B38-1062-05 |
| KDC-316V | 0-12 | YES | NO | B30-1567-05(RED) | NO | NO | B38-1062-05 |

- IC1 : LC75853NE
- IC2 : RS-171
- Q1 : DTA114EK or UN2111 or KRA102S
- D1-14,17,20 : *
- D18,19 : B30-1572-05
- D21,24,25 : B30-1533-05 (PG)
- D22,23 : DA204K
- ED1 : *

— +B LINE

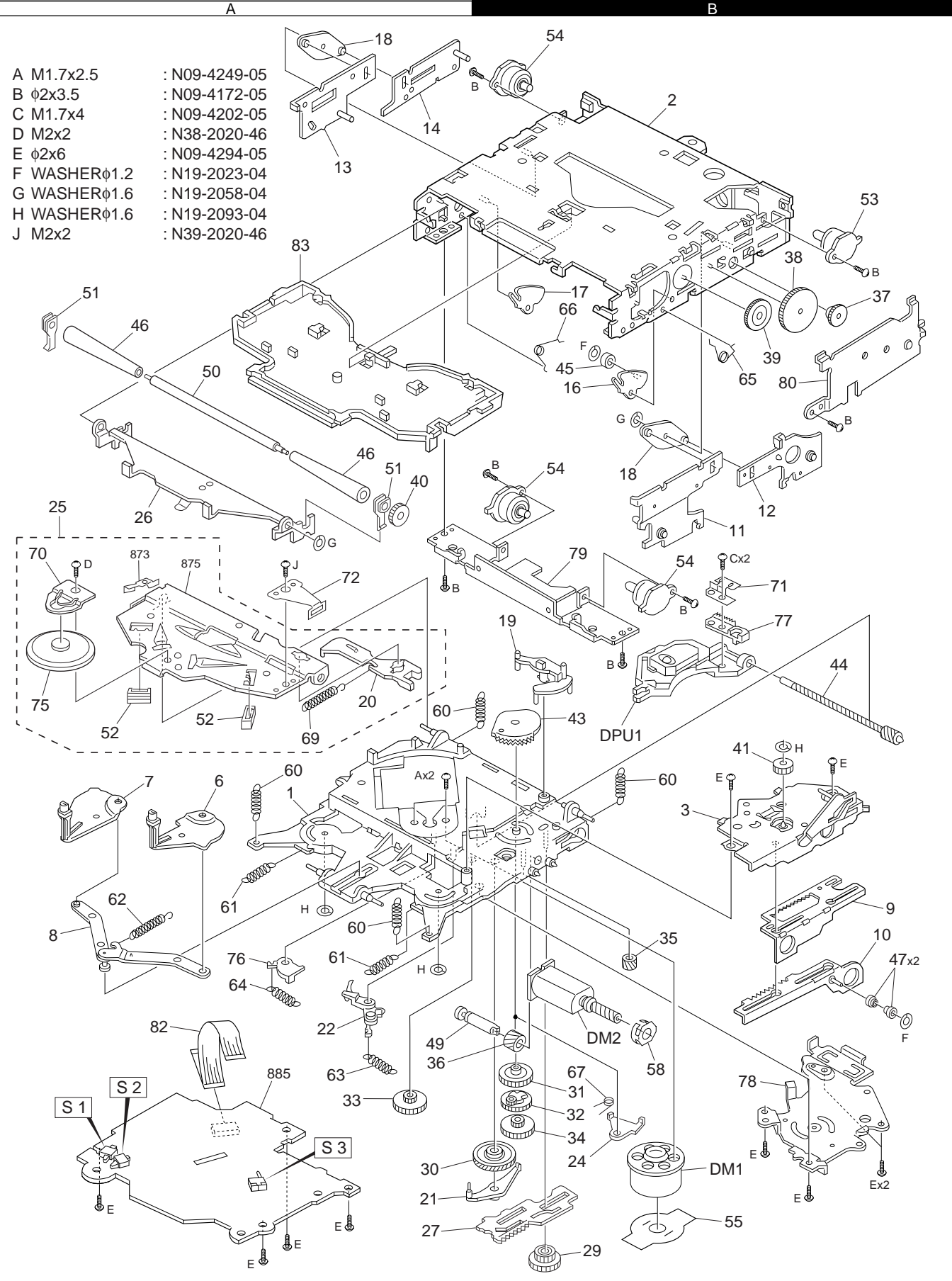
CAUTION:For continued safety, replace safety critical components only with manufacturer's recommended parts (refer to, parts list). ⚠ Indicates safety critical components. To reduce the risk of electric shock, leakage-current or resistance measurements shall be carried out (exposed parts are acceptably insulated from the supply circuit) before the appliance is returned to the customer.

DC voltages are as measured with a high impedance voltmeter. Values may vary slightly due to variations between individual instruments or/and units.

KDC-316S/316V/37MR

EXPLODED VIEW (CD MECHANISM)

- | | | |
|---|------------|---------------|
| A | M1.7x2.5 | : N09-4249-05 |
| B | φ2x3.5 | : N09-4172-05 |
| C | M1.7x4 | : N09-4202-05 |
| D | M2x2 | : N38-2020-46 |
| E | φ2x6 | : N09-4294-05 |
| F | WASHERφ1.2 | : N19-2023-04 |
| G | WASHERφ1.6 | : N19-2058-04 |
| H | WASHERφ1.6 | : N19-2093-04 |
| J | M2x2 | : N39-2020-46 |

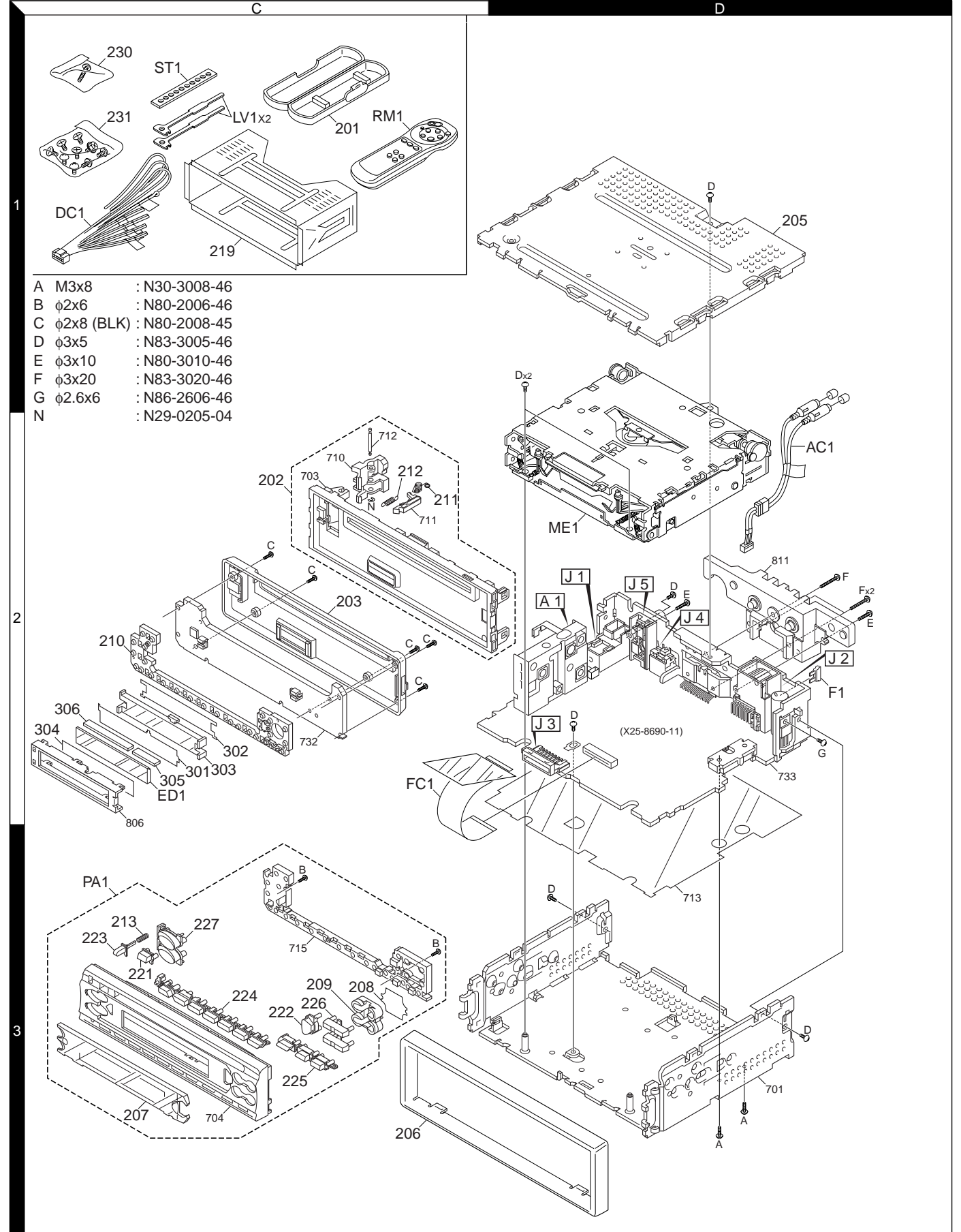


Parts with exploded numbers larger than 700 are not supplied.

KDC-316S/316V/37MR

EXPLODED VIEW (UNIT)

- | | | |
|---|------------|---------------|
| A | M3x8 | : N30-3008-46 |
| B | φ2x6 | : N80-2006-46 |
| C | φ2x8 (BLK) | : N80-2008-45 |
| D | φ3x5 | : N83-3005-46 |
| E | φ3x10 | : N80-3010-46 |
| F | φ3x20 | : N83-3020-46 |
| G | φ2.6x6 | : N86-2606-46 |
| N | | : N29-0205-04 |



Parts with exploded numbers larger than 700 are not supplied.

KDC-316S/316V/37MR

PARTS LIST

* New Parts

Parts without Parts No. are not supplied.

Les articles non mentionnes dans le Parts No. ne sont pas fournis.

Teile ohne Parts No. werden nicht geliefert.

KDC-316S/V/37MR

SWITCH UNIT(X13-9880-XX)
ELECTRIC UNIT(X25-8690-XX)

| Ref.No. | A d d | N e w | Parts No. | Description | Dest inati on |
|------------------------|-------------|-------------|-------------|-------------------------------|---------------------|
| KDC-316S/V/37MR | | | | | |
| 201 | 1C | | A02-1486-13 | PLASTIC CABINET ASSY | |
| 202 | 2C | | A22-2863-03 | SUB PANEL ASSY | |
| 203 | 2C | | A46-1694-01 | REAR COVER | |
| 205 | 1D | | A52-0783-02 | TOP PLATE | |
| PA1 | 3C | * | A64-2199-02 | PANEL ASSY | K1 |
| PA1 | 3C | * | A64-2200-02 | PANEL ASSY | K2 |
| PA1 | 3C | * | A64-2201-02 | PANEL ASSY | K3 |
| RM1 | 1C | | A70-0883-05 | REMOTE CONTROLLER ASSY | K3 |
| 206 | 3C | | B07-3001-02 | ESCUTCHEON | K1,K3 |
| 206 | 3C | | B07-3002-02 | ESCUTCHEON | K2 |
| 207 | 3C | | B10-3291-01 | FRONT GLASS | K1 |
| 207 | 3C | | B10-3292-01 | FRONT GLASS | K2 |
| 207 | 3C | | B10-3293-01 | FRONT GLASS | K3 |
| 208 | 3C | * | B11-1345-04 | OPTICAL DIFFUSER | |
| 209 | 3C | | B19-2076-03 | LIGHTING BOARD | |
| - | | | B46-0100-50 | WARRANTY CARD | |
| - | | | B46-0606-04 | ID CARD | |
| - | | | B58-1344-04 | CAUTION CARD | K1 |
| - | | * | B64-1830-00 | INSTRUCTION MANUAL | |
| LV1 | 1C | | D10-4589-04 | LEVER | |
| 210 | 2C | | E29-1830-02 | CONDUCTIVE RUBBER | |
| AC1 | 2D | | E30-4801-05 | CORD WITH PINPLUG | K1 |
| DC1 | 1C | | E30-4783-05 | DC CORD | |
| FC1 | 2C | | E39-0343-05 | FLAT CABLE | |
| F1 | 2D | | F52-0006-05 | FUSE(MINI BLADE TYPE) | |
| F1 | 2D | | F52-0011-05 | FUSE(MINI BLADE TYPE) | |
| 211 | 3C | | G01-2987-04 | TORSION COIL SPRING | |
| 212 | 3C | | G01-2988-04 | EXTENSION SPRING | |
| 213 | 3C | | G01-2990-04 | COMPRESSION SPRING | |
| - | | | H10-4740-02 | POLYSTYRENE FOAMED FIXTURE | |
| - | | | H25-0329-04 | PROTECTION BAG (280X450X0.03) | |
| - | | | H25-0337-04 | PROTECTION BAG (180X300X0.03) | |
| - | | * | H54-1893-03 | ITEM CARTON CASE | K1 |
| - | | * | H54-1894-03 | ITEM CARTON CASE | K2 |
| - | | * | H54-1895-03 | ITEM CARTON CASE | K3 |
| 219 | 1C | | J21-9641-03 | MOUNTING HARDWARE ASSY | |
| ST1 | 1C | | J54-0606-04 | STAY | |
| 221 | 3C | | K24-3653-04 | KNOB EJ | |
| 222 | 3C | | K24-3652-04 | KNOB Q | |
| 223 | 3C | | K24-3665-04 | KNOB RELEASE | |
| 224 | 3C | | K25-1253-03 | KNOB 1-6 | |
| 225 | 3C | | K25-1254-03 | KNOB CLK | |
| 226 | 3C | | K25-1255-03 | KNOB FM/AM | |
| 227 | 3C | | K25-1256-03 | KNOB VOL | |
| 230 | 1C | | N99-1610-15 | SCREW SET | |
| 231 | 1C | | N99-1632-05 | SCREW SET | |
| A | 3D | | N30-3008-46 | PAN HEAD MACHINE SCREW | |
| B | 3C | | N80-2006-46 | PAN HEAD TAPTITE SCREW | |
| C | 3C | | N80-2008-45 | PAN HEAD TAPTITE SCREW | |

| Ref.No. | A d d | N e w | Parts No. | Description | Dest inati on |
|------------------------------------|-------------|-------------|----------------------------|---|---------------------|
| D N | 1D 2C | | N83-3005-46 N29-0205-04 | PAN HEAD TAPTITE SCREW RETAINING RING (1.5φ) | |
| ME1 | 2C | | X92-4130-00 | MECHANISM ASSY | |
| SWITCH UNIT (X13-9880-XX) | | | | | |
| 301 | 3C | | B11-1327-04 | OPTICAL DIFFUSER | K1 |
| 301 | 3C | | B11-1333-04 | OPTICAL DIFFUSER | K3,K2 |
| 302 | 3C | | B11-1328-04 | REFLECTION SHEET | |
| 303 | 3C | | B19-2065-03 | LIGHTING BOARD | |
| 304 | 3C | | B11-1332-04 | COLOR FILTER | K3 |
| D1-14 | | | B30-1533-05 | LED(1608,PG) | K1 |
| D1-14 | | | B30-1567-05 | LED(1608,RED) | K3 |
| D17 | | | B30-1533-05 | LED(1608,PG) | K1 |
| D17 | | | B30-1567-05 | LED(1608,RED) | K3 |
| D18,19 | | | B30-1572-05 | LED(WHITE) | |
| D20 | | | B30-1567-05 | LED(1608,RED) | K3 |
| D20,21 | | | B30-1533-05 | LED(1608,PG) | K1 |
| D24,25 | | | B30-1533-05 | LED(1608,PG) | K1 |
| ED1 | | | B38-1061-05 | LIQUID CRYSTAL | K1 |
| ED1 | | | B38-1062-05 | LIQUID CRYSTAL | K3,K2 |
| C1 | | | CK73GB1H102K | CHIP C 1000PF K | |
| C2,3 | | | CK73GB1E473K | CHIP C 0.047UF K | |
| C2,3 | | | CK73GB1H473K | CHIP C 0.047UF K | |
| C4 | | | CK73GB1H103K | CHIP C 0.010UF K | |
| C5 | | | CK73EB1C225K | CHIP C 2.2UF K | |
| C8,9 | | | CK73GB1H103K | CHIP C 0.010UF K | |
| 305 | 3C | | E29-1834-04 | CONDUCTIVE RUBBER | |
| 306 | 3C | | E29-1829-04 | CONDUCTIVE RUBBER | |
| J1 | | | E59-0828-05 | RECTANGULAR PLUG | |
| CP1,2 | | | R90-0724-05 | MULTI-COMP 1K X4 | |
| R2-4 | | | RK73FB2A471J | CHIP R 470 J 1/10W | |
| R5 | | | RK73FB2A102J | CHIP R 1.0K J 1/10W | |
| R7 | | | RK73GB1J102J | CHIP R 1.0K J 1/16W | |
| R8 | | | RK73GB1J563J | CHIP R 56K J 1/16W | |
| R9 | | | RK73GB1J102J | CHIP R 1.0K J 1/16W | |
| R10 | | | RK73EB2B4R7J | CHIP R 4.7 J 1/8W | |
| R12 | | | RK73FB2A102J | CHIP R 1.0K J 1/10W | |
| R13 | | | RK73FB2A470J | CHIP R 47 J 1/10W | |
| R14-16 | | | RK73EB2B331J | CHIP R 330 J 1/8W | |
| R17,18 | | | RK73EB2B511J | CHIP R 510 J 1/8W | |
| R19 | | | RK73EB2B331J | CHIP R 330 J 1/8W | |
| R20 | | | RK73EB2B271J | CHIP R 270 J 1/8W | |
| R21 | | | RK73EB2B331J | CHIP R 330 J 1/8W | K1 |
| D22,23 | | | DA204K | DIODE | |
| IC1 | | | LC75853NE | MOS-IC | |
| IC2 | | | RS-171 | ANALOGUE IC | |
| Q1 | | | DTA114EK | DIGITAL TRANSISTOR | |
| Q1 | | | KRA102S | DIGITAL TRANSISTOR | |
| Q1 | | | UN2111 | DIGITAL TRANSISTOR | |
| ELECTRIC UNIT (X25-8690-XX) | | | | | |
| D102 | | | B30-1567-05 | LED(1608,RED) | |
| C1 | | | C90-2853-05 | ELECTRO 4700UF 16WV | |

K1: KDC-316S K2: KDC-37MR K3: KDC-316V

⚠ indicates safety critical components.

KDC-316S/316V/37MR

PARTS LIST

* New Parts

Parts without Parts No. are not supplied.

Les articles non mentionnes dans le Parts No. ne sont pas fournis.

Teile ohne Parts No. werden nicht geliefert.

ELECTRIC UNIT(X25-8690-XX)

| Ref.No. | A d d | N e w | Parts No. | Description | Dest inati on |
|----------|-------------|-------------|---------------|-----------------------------|---------------------|
| C21 | | | CK73GB1H103K | CHIP C 0.010UF K | |
| C40 | | | CK73GB1H103K | CHIP C 0.010UF K | |
| C50 | | | CE04CW1E100M | ELECTRO 10UF 25WV | |
| C52-54 | | | C90-2597-05 | ELECTRO 10UF 16WV | |
| C55 | | | CE04CW1E100M | ELECTRO 10UF 25WV | |
| C56 | | | CE04CW1H100M | ELECTRO 10UF 50WV | |
| C57 | | | C90-2926-05 | ELECTRO 220UF 16WV | |
| C63 | | | CE04CW1C220M | ELECTRO 22UF 16WV | |
| C101 | | | CE04CWOJ101M | ELECTRO 100UF 6.3WV | |
| C102 | | | CK73GB1H103K | CHIP C 0.010UF K | |
| C103 | | | CK73GB1C104K | CHIP C 0.10UF K | |
| C103 | | | CK73GB1H104K | CHIP C 0.10UF K | |
| C104,105 | | | CC73GCH1H150J | CHIP C 15PF J | |
| C106 | | | CK73GB1H472K | CHIP C 4700PF K | |
| C142 | | | CK73GB1C104K | CHIP C 0.10UF K | |
| C142 | | | CK73GB1H104K | CHIP C 0.10UF K | |
| C201 | | | CE04CW1A470M | ELECTRO 47UF 10WV | |
| C202 | | | CK73GB1H103K | CHIP C 0.010UF K | |
| C203-205 | | | C90-2610-05 | ELECTRO 2.2UF 50WV | |
| C206 | | | CK73GB1H153K | CHIP C 0.015UF K | |
| C207 | | | CK73GB1A474K | CHIP C 0.47UF K | |
| C208,209 | | | CK73GB1C104K | CHIP C 0.10UF K | |
| C208,209 | | | CK73GB1H104K | CHIP C 0.10UF K | |
| C210 | | | CK73GB1E333K | CHIP C 0.033UF K | |
| C210 | | | CK73GB1H333K | CHIP C 0.033UF K | |
| C211 | | | CC73GCH1H151J | CHIP C 150PF J | |
| C221-224 | | | C90-2597-05 | ELECTRO 10UF 16WV | K1 |
| C223,224 | | | C90-2597-05 | ELECTRO 10UF 16WV | K3 |
| C225 | | | CK73GB1H103K | CHIP C 0.010UF K | K3 |
| C225,226 | | | CK73GB1H103K | CHIP C 0.010UF K | K1 |
| C251-254 | | | C90-5296-05 | NP-ELECT 0.22UF 50WV | |
| C255 | | | C90-2608-05 | ELECTRO 1.0UF 50WV | |
| C256 | | | CE04CW1A101M | ELECTRO 100UF 10WV | |
| C257 | | | C90-2608-05 | ELECTRO 1.0UF 50WV | |
| C258 | | | C90-2935-05 | ELECTRO 1.0UF 50WV | |
| C301 | | | CE04CW1A101M | ELECTRO 100UF 10WV | |
| C302,303 | | | CK73GB1H103K | CHIP C 0.010UF K | |
| C304 | | | CE04CW1A101M | ELECTRO 100UF 10WV | |
| C305 | | | CK73GB1H103K | CHIP C 0.010UF K | |
| C306 | | | C90-2594-05 | ELECTRO 10UF 10WV | |
| C307 | | | CK73GB1H103K | CHIP C 0.010UF K | |
| C401,402 | | | C90-2608-05 | ELECTRO 1.0UF 50WV | |
| C403 | | | CE04CW1A101M | ELECTRO 100UF 10WV | |
| C404 | | | CK73GB1H103K | CHIP C 0.010UF K | |
| CN1 | | | E40-9550-05 | FLAT CABLE CONNECTOR | |
| CN2 | | | E40-3238-05 | PIN ASSY | K1 |
| CN3 | | | E40-3246-05 | PIN ASSY | K2 |
| J1 | | | E04-0312-05 | RF COAXIAL CABLE RECEPTACLE | |
| J2 | | | E58-0863-15 | RECTANGULAR RECEPTACLE | |
| J3 | | | E58-0879-05 | RECTANGULAR RECEPTACLE | |
| J4 | | | E56-0834-05 | CYLINDRICAL RECEPTACLE | |
| J5 | | | E63-0852-05 | PIN JACK | |
| P1 | | | E23-0745-05 | TERMINAL | |
| L1 | | | L33-1170-05 | CHOKE COIL ASSY | |

| Ref.No. | A d d | N e w | Parts No. | Description | Dest inati on |
|----------|-------------|-------------|--------------|-------------------------------|---------------------|
| L4 | | | L33-1123-05 | LINE FILTER COIL | |
| L101 | | | L40-4795-91 | SMALL FIXED INDUCTOR(4.7UH,J) | |
| L201 | | | L40-4795-91 | SMALL FIXED INDUCTOR(4.7UH,J) | |
| L303-306 | | | L40-4795-91 | SMALL FIXED INDUCTOR(4.7UH,J) | |
| X1 | | | L77-1167-05 | CRYSTAL RESONATOR(4.19M) | |
| D | 2D | | N83-3005-46 | PAN HEAD TAPTITE SCREW | |
| E | 2D | | N80-3010-46 | PAN HEAD TAPTITE SCREW | |
| F | 2D | | N83-3020-46 | PAN HEAD TAPTITE SCREW | |
| G | 2D | | N86-2606-46 | BINDING HEAD TAPTITE SCREW | |
| CP1 | | | R90-1056-05 | MULTIPLE RESISTOR | |
| CP2 | | | R90-1047-05 | MULTIPLE RESISTOR | |
| CP3 | | | R90-1046-05 | MULTIPLE RESISTOR | |
| R10 | | | RK73FB2A303J | CHIP R 30K J 1/10W | |
| R11 | | | RK73GB1J103J | CHIP R 10K J 1/16W | |
| R12 | | | RK73GB1J104J | CHIP R 100K J 1/16W | |
| R20 | | | RD14DB2H332J | SMALL-RD 3.3K J 1/2W | |
| R22 | | | RK73GB1J103J | CHIP R 10K J 1/16W | |
| R23 | | | RK73GB1J104J | CHIP R 100K J 1/16W | |
| R51 | | | RK73GB1J473J | CHIP R 47K J 1/16W | |
| R57 | | | RK73FB2A152J | CHIP R 1.5K J 1/10W | |
| R58 | | | RK73GB1J472J | CHIP R 4.7K J 1/16W | |
| R67 | | | RK73GB1J103J | CHIP R 10K J 1/16W | |
| R71 | | | RK73FB2A823J | CHIP R 82K J 1/10W | |
| R72 | | | RK73FB2A363J | CHIP R 36K J 1/10W | |
| R73 | | | RK73GB1J104J | CHIP R 100K J 1/16W | |
| R103,104 | | | RK73GB1J222J | CHIP R 2.2K J 1/16W | |
| R105 | | | RK73GB1J471J | CHIP R 470 J 1/16W | |
| R106 | | | RK73GB1J104J | CHIP R 100K J 1/16W | |
| R107,108 | | | RK73GB1J222J | CHIP R 2.2K J 1/16W | |
| R110 | | | RK73GB1J472J | CHIP R 4.7K J 1/16W | |
| R113,114 | | | RK73GB1J473J | CHIP R 47K J 1/16W | |
| R115 | | | RK73GB1J102J | CHIP R 1.0K J 1/16W | |
| R116 | | | RK73GB1J103J | CHIP R 10K J 1/16W | |
| R117 | | | RK73GB1J102J | CHIP R 1.0K J 1/16W | |
| R118 | | | RK73GB1J103J | CHIP R 10K J 1/16W | |
| R119 | | | RK73GB1J473J | CHIP R 47K J 1/16W | |
| R121,122 | | | RK73GB1J222J | CHIP R 2.2K J 1/16W | |
| R125 | | | RK73GB1J102J | CHIP R 1.0K J 1/16W | |
| R126 | | | RK73GB1J104J | CHIP R 100K J 1/16W | |
| R127 | | | RK73GB1J222J | CHIP R 2.2K J 1/16W | |
| R128 | | | RK73GB1J225J | CHIP R 2.2M J 1/16W | |
| R129,130 | | | RK73GB1J222J | CHIP R 2.2K J 1/16W | |
| R131 | | | RK73GB1J682J | CHIP R 6.8K J 1/16W | |
| R132 | | | RK73GB1J223J | CHIP R 22K J 1/16W | |
| R133 | | | RK73GB1J164J | CHIP R 160K J 1/16W | |
| R135 | | | RK73GB1J473J | CHIP R 47K J 1/16W | K3 |
| R136,137 | | | RK73GB1J473J | CHIP R 47K J 1/16W | K1,K2 |
| R137 | | | RK73GB1J473J | CHIP R 47K J 1/16W | K3 |
| R139 | | | RK73GB1J473J | CHIP R 47K J 1/16W | |
| R143 | | | RK73FB2A222J | CHIP R 2.2K J 1/10W | |
| R144 | | | RK73GB1J104J | CHIP R 100K J 1/16W | |
| R201 | | | RK73GB1J272J | CHIP R 2.7K J 1/16W | |
| R202,203 | | | RK73GB1J472J | CHIP R 4.7K J 1/16W | |
| R221-224 | | | RK73FB2A271J | CHIP R 270 J 1/10W | K1 |

K1: KDC-316S K2: KDC-37MR K3: KDC-316V

△ indicates safety critical components.

KDC-316S/316V/37MR

PARTS LIST

* New Parts

Parts without Parts No. are not supplied.

Les articles non mentionnes dans le Parts No. ne sont pas fournis.

Teile ohne Parts No. werden nicht geliefert.

ELECTRIC UNIT(X25-8690-XX)
CD PLAYER UNIT(X32-5010-00)

| Ref.No. | A d d | N e w | Parts No. | Description | Dest inati on |
|----------|-------------|-------------|----------------|---------------------|---------------------|
| R223,224 | | | RK73FB2A271J | CHIP R 270 J 1/10W | K3 |
| R251 | | | RK73GB1J472J | CHIP R 4.7K J 1/16W | |
| R254 | | | RK73GB1J472J | CHIP R 4.7K J 1/16W | |
| R255 | | | RK73GB1J333J | CHIP R 33K J 1/16W | |
| R256 | | | RK73FB2A102J | CHIP R 1.0K J 1/10W | |
| R257 | | | RK73GB1J362J | CHIP R 3.6K J 1/16W | |
| R258 | | | RK73GB1J101J | CHIP R 100 J 1/16W | |
| R260 | | | RK73GB1J751J | CHIP R 750 J 1/16W | |
| R261 | | | RK73GB1J431J | CHIP R 430 J 1/16W | |
| R263 | | | RK73GB1J184J | CHIP R 180K J 1/16W | |
| R264 | | | RK73GB1J473J | CHIP R 47K J 1/16W | |
| R412-415 | | | RK73GB1J104J | CHIP R 100K J 1/16W | |
| W151 | | | R92-2053-05 | CHIP R 0 J 1/8W | |
| W152 | | | R92-1252-05 | CHIP R 0 OHM | |
| W155 | | | R92-1252-05 | CHIP R 0 OHM | |
| W156,157 | | | R92-2053-05 | CHIP R 0 J 1/8W | |
| W158,159 | | | R92-1252-05 | CHIP R 0 OHM | |
| W160-165 | | | R92-2053-05 | CHIP R 0 J 1/8W | |
| W167-169 | | | R92-1252-05 | CHIP R 0 OHM | |
| D1 | | | S2V20*A | DIODE | |
| D2 | | | 1SS133 | DIODE | |
| D4 | | | IMSA-6801 | SURGE ABSORBER | |
| D4 | | | SA-C2012-101TB | SURGE ABSORBER | |
| D10 | | | MA4068(N)-M | ZENER DIODE | |
| D13,14 | | | AM01Z | DIODE | |
| D13,14 | | | DSM1SD2 | DIODE | |
| D13,14 | | | ERA15-02 | DIODE | |
| D20 | | | MA4068(N)-M | ZENER DIODE | |
| D40 | | | 1SS133 | DIODE | |
| D50 | | | 1SS133 | DIODE | |
| D51 | | | HZS9A1L | ZENER DIODE | |
| D51 | | | MA4082(N)-L | ZENER DIODE | |
| D70 | | | MA4068(N)-M | ZENER DIODE | |
| D101 | | | 1SS133 | DIODE | |
| D103,104 | | | 1SS133 | DIODE | |
| D106,107 | | | HZS6C1 | ZENER DIODE | |
| D106,107 | | | MA4062-L | ZENER DIODE | |
| D201,202 | | | MA4068(N)-M | ZENER DIODE | |
| D251-253 | | | 1SS133 | DIODE | |
| D401,402 | | | MA4068(N)-M | ZENER DIODE | |
| D403,404 | | | HZS6C1 | ZENER DIODE | |
| D403,404 | | | MA4062-L | ZENER DIODE | |
| D409-411 | | | HZS6C1 | ZENER DIODE | |
| D409-411 | | | MA4062-L | ZENER DIODE | |
| IC1 | | | UPD780058GC231 | MI-COM IC | |
| IC2 | | | TDA7407D | ANALOGUE IC | |
| IC4 | | | TDA7386 | ANALOGUE IC | |
| IC7 | | | BA4911-V4 | ANALOGUE IC | |
| IC8 | | | HD74HC27FP | MOS-IC | |
| IC11 | | | S-80830ANNP | MOS-IC | |
| IC12 | | | BR24C01AF | MEMORY IC | |
| IC12 | | | BR24C01AF-W | MEMORY IC | |
| IC12 | | | M24C01-WMN6T | MEMORY IC | |
| IC12 | | | S-24C01B | MEMORY IC | |

| Ref.No. | A d d | N e w | Parts No. | Description | Dest inati on |
|-------------------------------------|-------------|-------------|---------------|---------------------|---------------------|
| Q10 | | | 2SC4081 | TRANSISTOR | |
| Q10 | | | 2SD1819A | TRANSISTOR | |
| Q20 | | | 2SC4081 | TRANSISTOR | |
| Q20 | | | 2SD1819A | TRANSISTOR | |
| Q40 | | | DTA124EUA | DIGITAL TRANSISTOR | |
| Q40 | | | UN5112 | DIGITAL TRANSISTOR | |
| Q50 | | | 2SA1036K | TRANSISTOR | |
| Q51 | | | UMC2N | TRANSISTOR | |
| Q53 | | | UMC2N | TRANSISTOR | |
| Q55 | | | 2SD2375 | TRANSISTOR | |
| Q55 | | | 2SD2396 | TRANSISTOR | |
| Q70 | | | 2SC4081 | TRANSISTOR | |
| Q70 | | | 2SD1819A | TRANSISTOR | |
| Q101 | | | 2SC4081 | TRANSISTOR | |
| Q101 | | | 2SD1819A | TRANSISTOR | |
| Q102 | | | DTA114YUA | DIGITAL TRANSISTOR | K1 |
| Q102 | | | UN5114 | DIGITAL TRANSISTOR | |
| Q221-224 | | | DTC143TUA | DIGITAL TRANSISTOR | |
| Q221-224 | | | UN5216 | DIGITAL TRANSISTOR | |
| Q223,224 | | | DTC143TUA | DIGITAL TRANSISTOR | K3 |
| Q223,224 | | | UN5216 | DIGITAL TRANSISTOR | K3 |
| Q251 | | | DTC114YUA | DIGITAL TRANSISTOR | |
| Q251 | | | UN5214 | DIGITAL TRANSISTOR | |
| TH1 | | | PTH9C42BE471Q | POSITIVE RESISTOR | |
| A1 | 2D | | X86-3300-10 | TUNER UNIT | |
| CD PLAYER UNIT (X32-5010-00) | | | | | |
| C1,2 | | | CK73FB1C105K | CHIP C 1.0UF K | |
| C3 | | | CK73FB0J475K | CHIP C 4.7UF K | |
| C4 | | | C92-0566-05 | CHIP-TAN 10UF 6.3WV | |
| C5 | | | CC73GCH1H330J | CHIP C 33PF J | |
| C6 | | | CC73GCH1H030C | CHIP C 3.0PF C | |
| C7 | | | CK73GB1C104K | CHIP C 0.10UF K | |
| C8 | | | CK73FB1C105K | CHIP C 1.0UF K | |
| C10 | | | CK73GB1H472K | CHIP C 4700PF K | |
| C11 | | | CK73GB1H682K | CHIP C 6800PF K | |
| C12 | | | CK73GB1H332K | CHIP C 3300PF K | |
| C13 | | | CK73GB1C333K | CHIP C 0.033UF K | |
| C14 | | | CK73GB1H472K | CHIP C 4700PF K | |
| C15 | | | CK73GB1C473K | CHIP C 0.047UF K | |
| C16 | | | CC73GCH1H221J | CHIP C 220PF J | |
| C17 | | | CK73GB1H472K | CHIP C 4700PF K | |
| C18 | | | CC73GCH1H471J | CHIP C 470PF J | |
| C19,20 | | | CK73GB1C104K | CHIP C 0.10UF K | |
| C21 | | | CK73FB0J475K | CHIP C 4.7UF K | |
| C23 | | | CK73GB1H102K | CHIP C 1000PF K | |
| C24 | | | CK73GB1E223K | CHIP C 0.022UF K | |
| C25 | | | CK73GB1H153K | CHIP C 0.015UF K | |
| C26 | | | CK73GB0J105K | CHIP C 1.0UF K | |
| C28 | | | CK73GB0J105K | CHIP C 1.0UF K | |
| C29 | | | CK73GB1C104K | CHIP C 0.10UF K | |
| C33 | | | CK73GB1C104K | CHIP C 0.10UF K | |
| C35 | | | CK73GB1C104K | CHIP C 0.10UF K | |
| C41 | | | CK73EB1C225K | CHIP C 2.2UF K | |
| C43 | | | CK73GB1H153K | CHIP C 0.015UF K | |

K1: KDC-316S K2: KDC-37MR K3: KDC-316V

△ indicates safety critical components.

KDC-316S/316V/37MR

PARTS LIST

* New Parts

Parts without Parts No. are not supplied.

Les articles non mentionnes dans le Parts No. ne sont pas fournis.

Teile ohne Parts No. werden nicht geliefert.

CD PLAYER UNIT(X32-5010-00)

MECHANISM ASSY(X92-4130-00)

| Ref.No. | A d d | N e w | Parts No. | Description | Dest inati on |
|----------|-------------|-------------|---------------|----------------------|---------------------|
| C45 | | | CK73GB1H153K | CHIP C 0.015UF K | |
| C46 | | | CK73GB1C473K | CHIP C 0.047UF K | |
| C55 | | | CK73GB1C104K | CHIP C 0.10UF K | |
| C68 | | | CK73GB1C104K | CHIP C 0.10UF K | |
| C71,72 | | | CK73GB1H471K | CHIP C 470PF K | |
| C77,78 | | | CC73GCH1H680J | CHIP C 68PF J | |
| C79,80 | | | CK73GB1H222K | CHIP C 2200PF K | |
| C85 | | | CK73GB1C104K | CHIP C 0.10UF K | |
| C89 | | | CK73GB1H222K | CHIP C 2200PF K | |
| C90 | | | CK73GB1C104K | CHIP C 0.10UF K | |
| CN1 | | | E40-9536-05 | FLAT CABLE CONNECTOR | |
| CN2 | | | E40-9339-05 | FLAT CABLE CONNECTOR | |
| CN2 | | | E41-0036-05 | FLAT CABLE CONNECTOR | |
| CN2 | | | E41-0129-05 | FLAT CABLE CONNECTOR | |
| X1 | | | L78-0572-05 | RESONATOR (16.93MHZ) | |
| CP1-3 | | | R90-1019-05 | MULTI-COMP 100 X 2 | |
| R3 | | | RK73GB1J272J | CHIP R 2.7K J 1/16W | |
| R5 | | | RK73GB1J151J | CHIP R 150 J 1/16W | |
| R6 | | | RK73GB1J272J | CHIP R 2.7K J 1/16W | |
| R8 | | | RK73EB2B4R7J | CHIP R 4.7 J 1/8W | |
| R9 | | | RK73EB2B100J | CHIP R 10 J 1/8W | |
| R10,11 | | | RK73GB1J682J | CHIP R 6.8K J 1/16W | |
| R12 | | | RK73GB1J432J | CHIP R 4.3K J 1/16W | |
| R15 | | | RK73GB1J824J | CHIP R 820K J 1/16W | |
| R16 | | | RK73GB1J223J | CHIP R 22K J 1/16W | |
| R17 | | | RK73GB1J363J | CHIP R 36K J 1/16W | |
| R18 | | | RK73GB1J392J | CHIP R 3.9K J 1/16W | |
| R19 | | | RK73GB1J333J | CHIP R 33K J 1/16W | |
| R20 | | | RK73GB1J104J | CHIP R 100K J 1/16W | |
| R21 | | | RK73GB1J334J | CHIP R 330K J 1/16W | |
| R32 | | | RK73GB1J104J | CHIP R 100K J 1/16W | |
| R34 | | | RK73GB1J683J | CHIP R 68K J 1/16W | |
| R36 | | | RK73GB1J151J | CHIP R 150 J 1/16W | |
| R37 | | | RK73GB1J471J | CHIP R 470 J 1/16W | |
| R38 | | | RK73GB1J224J | CHIP R 220K J 1/16W | |
| R46 | | | RK73GB1J102J | CHIP R 1.0K J 1/16W | |
| R47 | | | RK73GB1J103J | CHIP R 10K J 1/16W | |
| R49 | | | RK73GB1J472J | CHIP R 4.7K J 1/16W | |
| R52 | | | RK73GB1J104J | CHIP R 100K J 1/16W | |
| R54 | | | RK73GB1J104J | CHIP R 100K J 1/16W | |
| R71 | | | RK73GB1J103J | CHIP R 10K J 1/16W | |
| R72 | | | RK73GB1J102J | CHIP R 1.0K J 1/16W | |
| R73 | | | RK73GB1J473J | CHIP R 47K J 1/16W | |
| R75 | | | RK73GB1J333J | CHIP R 33K J 1/16W | |
| R76 | | | RK73GB1J622J | CHIP R 6.2K J 1/16W | |
| R77 | | | RK73GB1J563J | CHIP R 56K J 1/16W | |
| R78 | | | RK73GB1J243J | CHIP R 24K J 1/16W | |
| R81 | | | RK73GB1J333J | CHIP R 33K J 1/16W | |
| R82 | | | RK73GB1J123J | CHIP R 12K J 1/16W | |
| R83 | | | RK73GB1J102J | CHIP R 1.0K J 1/16W | |
| R102 | | | RK73GB1J332J | CHIP R 3.3K J 1/16W | |
| R104 | | | RK73GB1J562J | CHIP R 5.6K J 1/16W | |
| R107,108 | | | RK73FB2A331J | CHIP R 330 J 1/10W | |
| R117,118 | | | RK73FB2A203J | CHIP R 20K J 1/10W | |

| Ref.No. | A d d | N e w | Parts No. | Description | Dest inati on |
|-------------------------------------|-------------|-------------|--------------|--------------------------|---------------------|
| R121,122 | | | RK73FB2A203J | CHIP R 20K J 1/10W | |
| R125,126 | | | RK73FB2A203J | CHIP R 20K J 1/10W | |
| R202 | | | RK73GB1J104J | CHIP R 100K J 1/16W | |
| R214 | | | RK73GB1J104J | CHIP R 100K J 1/16W | |
| R218 | | | RK73GB1J473J | CHIP R 47K J 1/16W | |
| R233 | | | RK73GB1J622J | CHIP R 6.2K J 1/16W | |
| R234 | | | RK73GB1J103J | CHIP R 10K J 1/16W | |
| R238 | | | RK73FB2A201J | CHIP R 200 J 1/10W | |
| W17 | | | R92-2053-05 | CHIP R 0 J 1/8W | |
| S1,2 | | | S68-0838-05 | PUSH SWITCH | |
| S3 | | | S68-0859-05 | PUSH SWITCH | |
| D1,2 | | | DAN202U | DIODE | |
| D3 | | | DA204U | DIODE | |
| D4 | | | DAN202U | DIODE | |
| D5 | | | MA8051-L | ZENER DIODE | |
| IC1 | | | AN22000AA | ANALOGUE IC | |
| IC2 | | | MN662774KG1 | MOS-IC | |
| IC4 | | | BA5917AFP | ANALOGUE IC | |
| IC6 | | | NJM4565MD | IC(OP AMP X2) | |
| Q1 | | | MCH6101 | TRANSISTOR | |
| Q2 | | | DTC124EUA | DIGITAL TRANSISTOR | |
| Q3 | | | DTA143XUA | DIGITAL TRANSISTOR | |
| Q4 | | | 2SA1362(Y) | TRANSISTOR | |
| Q5 | | | DTC124EUA | DIGITAL TRANSISTOR | |
| MECHANISM ASSY (X92-4130-00) | | | | | |
| 1 | 2A | | A10-4482-01 | CHASSIS | |
| 2 | 1B | | A10-4225-33 | CHASSIS CALKING ASSY | |
| 3 | 2B | | A11-0915-43 | SUB CHASSIS CALKING ASSY | |
| 6 | 2A | | D10-4306-04 | ARM ASSY | |
| 7 | 2A | | D10-4305-04 | ARM ASSY | |
| 8 | 3A | | D10-3087-44 | ARM ASSY | |
| 9 | 3B | | D10-3092-03 | SLIDER | |
| 10 | 3B | | D10-3093-04 | SLIDER ASSY | |
| 11 | 2B | | D10-3095-04 | SLIDER ASSY | |
| 12 | 2B | | D10-3096-04 | SLIDER ASSY | |
| 13 | 1A | | D10-3099-24 | SLIDER ASSY | |
| 14 | 1A | | D10-3100-04 | SLIDER ASSY | |
| 16 | 1B | | D10-4004-04 | LEVER ASSY | |
| 17 | 1B | | D10-4006-04 | LEVER | |
| 18 | 1A | | D10-4007-04 | LEVER | |
| 19 | 2B | | D10-4008-14 | LEVER | |
| 20 | 2A | | D10-4009-23 | ARM | |
| 21 | 3A | | D10-4010-04 | LEVER | |
| 22 | 3A | | D10-4307-04 | LEVER ASSY | |
| 24 | 3B | | D10-4050-04 | ARM | |
| 25 | 3A | | D10-4038-23 | ARM ASSY | |
| 26 | 2A | | D10-4123-24 | LEVER ASSY | |
| 27 | 3A | | D13-1442-03 | RACK (GEAR) | |
| 29 | 3B | | D13-1231-04 | GEAR | |
| 30 | 3A | | D13-1240-04 | GEAR | |
| 31 | 3B | | D13-1233-04 | GEAR | |
| 32 | 3B | | D13-1234-14 | GEAR ASSY | |
| 33 | 3A | | D13-1441-03 | GEAR | |

K1: KDC-316S K2: KDC-37MR K3: KDC-316V

⚠ indicates safety critical components.

KDC-316S/316V/37MR

SPECIFICATIONS

FM Section

| | |
|--|------------------------------------|
| Frequency Range | 87.9MHz~107.9MHz |
| (Frequency Step) | (200kHz) |
| Channel Space Selection | 50k/200kHz |
| Usable Sensitivity(S/N:30dB) | 9.3dBf (0.8 μ V/75 Ω) |
| Quieting Sensitivity(S/N:50dB) | 15.2dBf (1.6 μ V/75 Ω) |
| Frequency Response(\pm 3.0dB) | 30Hz~15kHz |
| S/N | 70dB (MONO) |
| Selectivity | \geq 80dB(\pm 400kHz) |
| Stereo Separation | 40dB(1kHz) |

AM Section

| | |
|------------------------------------|-------------------------|
| Frequency Range | 530kHz~1700kHz |
| (Frequency Step) | (10kHz) |
| Channel Space Selection | 9k/10kHz |
| Usable Sensitivity(S/N:20dB) | 28dB μ (25 μ V) |

CD Section

| | |
|---------------------------|---------------------------|
| Laser Diode | GaAlAs(λ =780nm) |
| Digital Filter(D/A) | 8 Times Over Sampling |
| D/A Converter | 1Bit |
| Spindle Speed | 500~200(CLV) |
| Wow & Flutter | Below Measurable Limit |
| Frequency Response | 10~20kHz(\pm 1dB) |
| THD | 0.01%(1kHz) |
| S/N Ratio | 96dB(1kHz) |
| Dynamic Range | 93dB |
| Channel Separation | 85dB |

AMPLIFIER Section

| | |
|----------------------------|--------------------------------|
| Preout Level/Load | 1800mV/10k Ω (CD/CD-CH) |
| Preout Impedance | \leq 600 Ω |
| Maximum Power | 45W \times 4 |
| Full Bandwidth Power | 22W \times 4 |
| | (at less than 1%THD) |

tone Section

| | |
|--------------|------------------|
| Bass | 100Hz \pm 10dB |
| Middle | 1kHz \pm 10dB |
| Treble | 10kHz \pm 10dB |

General

| | |
|-----------------------------|---------------------|
| Operating Voltage | 14.4V |
| | (11V~16V allowable) |
| Current Consumption | 10A |
| Installation Size (W) | 182(mm) 7-3/16(in) |
| (H) | 53(mm) 2-1/16(in) |
| (D) | 157(mm) 6-3/16(in) |
| Weight | 1.5kg(3.31lbs) |

KENWOOD follows a policy of continuous advancements in development. For this reason specifications may be changed without notice.
